

# Woltmann Water Meter - Flanged PN16



WM 02

Cast Iron Epoxy Coated Body, Dry Dial.  
For Horizontal or Vertical Installation.

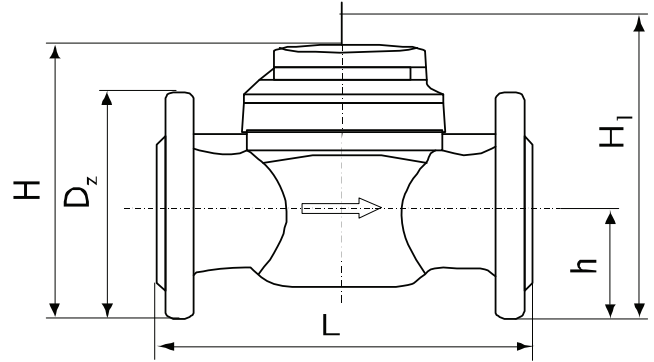


### Pressure / Temperature Specifications

|                     |      |
|---------------------|------|
| Maximum Pressure    | PN16 |
| Maximum Temperature | 30°C |

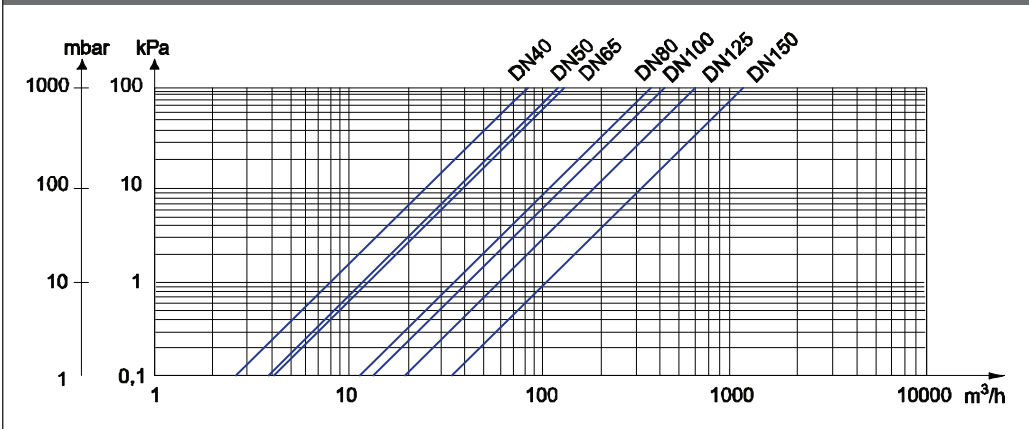
### Dimensions

| Size | L   | h   | H   | H <sub>1</sub> | Dz  | Kg   |
|------|-----|-----|-----|----------------|-----|------|
| 1½"  | 200 | 65  | 177 | 227            | 150 | 7.9  |
| 2"   | 200 | 72  | 187 | 287            | 165 | 9.9  |
| 2½"  | 200 | 83  | 197 | 297            | 185 | 10.6 |
| 3"   | 225 | 95  | 219 | 239            | 200 | 13.3 |
| 4"   | 250 | 105 | 229 | 349            | 220 | 15.6 |
| 5"   | 250 | 120 | 257 | 377            | 250 | 18.1 |
| 6"   | 300 | 135 | 357 | 582            | 285 | 40.1 |



Note: H<sub>1</sub> measurement = space for insert removal

### Pressure Loss Chart



### Technical Parameters

| Size   | Unit | 1½"             | 2"              | 2½"             | 3"              | 4"              | 5"              | 6"              |
|--|------|-----------------|-----------------|-----------------|-----------------|-----------------|-----------------|-----------------|
| Continuous Flow Rate (Q <sub>3</sub> )                           | m³/h | 25.0            | 40.0            | 63.0            | 100.0           | 160.0           | 250.0           | 400.0           |
| Maximum Flow Rate (Q <sub>4</sub> )                              | m³/h | 31.25           | 50.0            | 78.75           | 125.0           | 200.0           | 312.5           | 500.0           |
| Indirect Flow Rate (Q <sub>2</sub> )                             | m³/h | 0.4             | 0.64            | 0.806           | 1.0             | 1.28            | 2.5             | 3.2             |
| Minimum Flow Rate (Q <sub>1</sub> )                              | m³/h | 0.25            | 0.4             | 0.504           | 0.625           | 0.8             | 1.563           | 2.0             |
| Starting Flow  | m³/h | 0.15            | 0.15            | 0.2             | 0.25            | 0.25            | 0.5             | 1.0             |
| R Measuring Rate (Q <sub>3</sub> / Q <sub>1</sub> )              |      | 100             | 100             | 125             | 160             | 200             | 160             | 200             |
| Ratio (Q <sub>2</sub> / Q <sub>1</sub> )                         |      | 1.6             | 1.6             | 1.6             | 1.6             | 1.6             | 1.6             | 1.6             |
| Nominal Working Temperature                                      | °C   | 30              | 30              | 30              | 30              | 30              | 30              | 30              |
| Resistance Classes to Flow Profiles                              |      | U0              | U0              | U0              | U0              | U0              | U0              | U0              |
| Indication Range   | m³   | 10 <sup>6</sup> | 10 <sup>6</sup> | 10 <sup>6</sup> | 10 <sup>6</sup> | 10 <sup>6</sup> | 10 <sup>6</sup> | 10 <sup>7</sup> |
| Indication Accuracy  | m³   | 0.0005          | 0.0005          | 0.0005          | 0.0005          | 0.0005          | 0.0005          | 0.005           |
| Maximum Pressure (P <sub>max</sub> )                             | Bar  | 16              | 16              | 16              | 16              | 16              | 16              | 16              |
| Working Pressure   | Bar  | 0.3 to 16       | 0.3 to 16       | 0.3 to 16       | 0.3 to 16       | 0.3 to 16       | 0.3 to 16       | 0.3 to 16       |
| Maximum Pressure Loss  | Bar  | 0.16            | 0.16            | 0.16            | 0.16            | 0.16            | 0.16            | 0.16            |
| Permissible Error Range: Q <sub>2</sub> ≤ Q ≤ Q <sub>4</sub> (ε) | %    | ± 2             | ± 2             | ± 2             | ± 2             | ± 2             | ± 2             | ± 2             |
| Permissible Error Range: Q <sub>1</sub> ≤ Q ≤ Q <sub>2</sub> (ε) | %    | ± 5             | ± 5             | ± 5             | ± 5             | ± 5             | ± 5             | ± 5             |

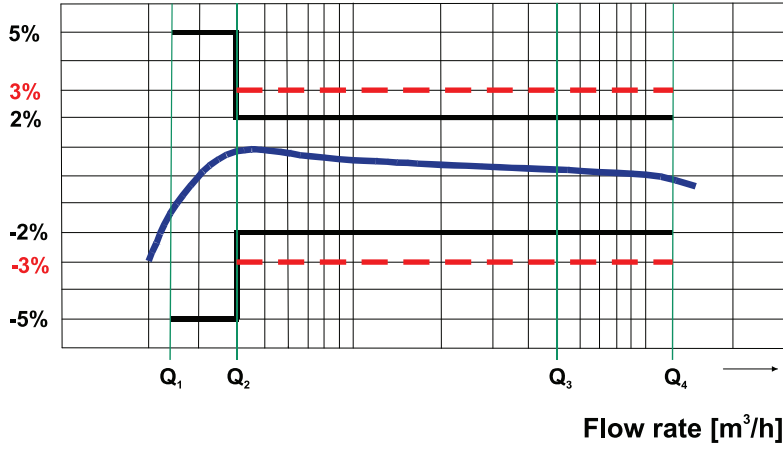
Continues on Page 2

# Woltmann Water Meter - Flanged PN16

WM 02

Typical Error Diagram

Error [%]



Last updated 26/02/2025