

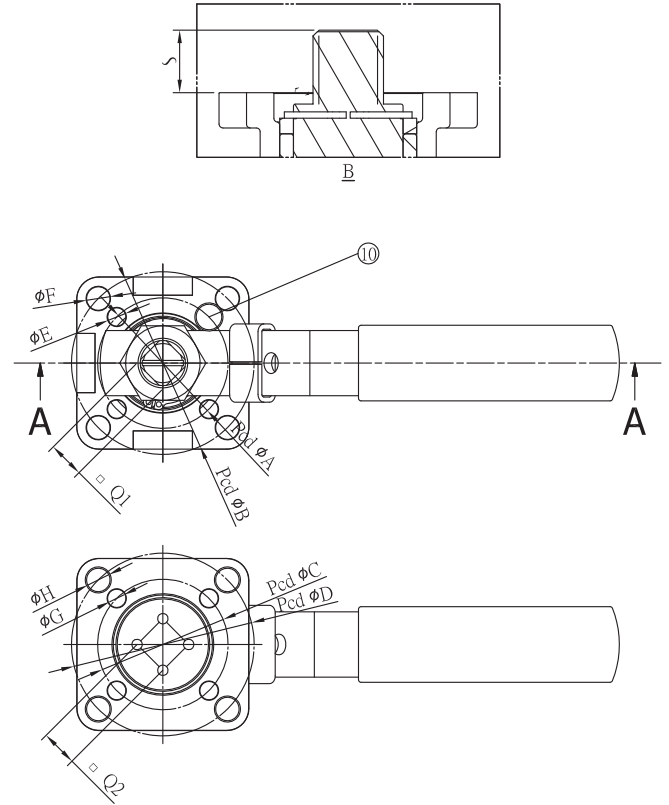
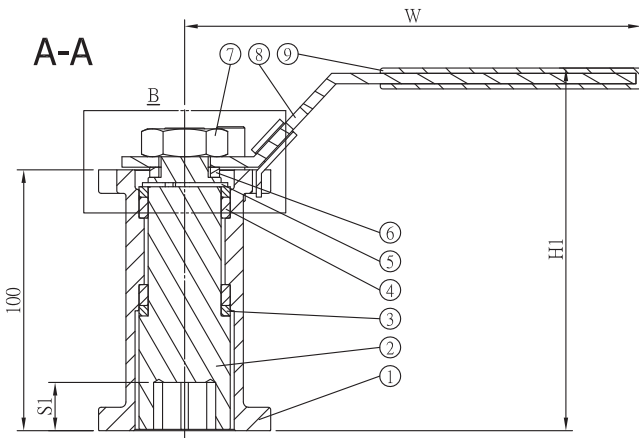
100mm Extension - to suit Valtec Direct Mount Ball Valves

UNI EXT

100mm High, 304 Stainless Steel, with Lockable Stainless Steel Lever



Material Specifications		
1.	Mount	CF8 Stainless Steel
2.	Stem	AISI 304 Stainless Steel
3.	Stem Packing	50% Stainless Steel
4.	Stem Packing	PTFE
5.	Retainer Ring	AISI 420 Stainless Steel
6.	Square Washer	AISI 304 Stainless Steel
7.	Handle Nut	AISI 304 Stainless Steel
8.	Handle	AISI 304 Stainless Steel
9.	Handle Cover	PVC
10.	Stop Pin	AISI 304 Stainless Steel
11.	Spring Washer	AISI 304 Stainless Steel
12.	Stem Nut	AISI 304 Stainless Steel
13.	Handle Cover	Plastic
14.	Lock Device	AISI 430 Stainless Steel



Dimensions												
Size	H1	S	S1	W	ØA	ØB	ØC	ØD	ØE	ØF	ØG	ØH
1	131	10	14.5	117	F03	F04	-	F03	6.0	6.0	-	6.0
2	131	10	14.5	117	F03	F04	-	F04	6.0	6.0	-	6.0
3	132	12	16.5	170	F04	F05	F04	F05	6.0	7.0	6.0	7.0
4	139	16	18.5	182	F05	F07	F05	F07	7.0	9.0	M6	9.0
5	147	19	28.5	333	F07	F10	-	F10	9.0	11.0	-	11.0
6 Type 1	147	24	30.5	333	F10	F12	-	F10	11.0	13.0	-	11.0
6 Type 2	147	24	31.5	333	F10	F12	-	F10	11.0	13.0	-	11.0

Dimensions			
Size	□ Q1	□ Q2	Kg
1	9.0	9.0	0.6
2	9.0	9.0	0.6
3	11.0	11.0	0.9
4	14.0	14.0	1.6
5	17.0	17.0	3.1
6 Type 1	22.0	22.0	4.1
6 Type 2	22.0	27.0	4.1