

Brass Solenoid Valve - Normally Closed - NBR Diaphragm

OL1800

Screwed **BSPP**, Pilot Operated, Normally Closed, 2/2 Way, Brass Body, **NBR** Diaphragm, 12-24-48-110-230V AC & 12-24V DC



Pressure Specifications (Bar)

Size	3/8"	1/2"	3/4"	1"	1 1/4"	1 1/2"	2"
Minimum	0.1	0.1	0.2	0.2	0.4	0.4	0.4
Maximum	15.0	15.0	15.0	12.0	12.0	10.0	10.0

Temperature Specifications

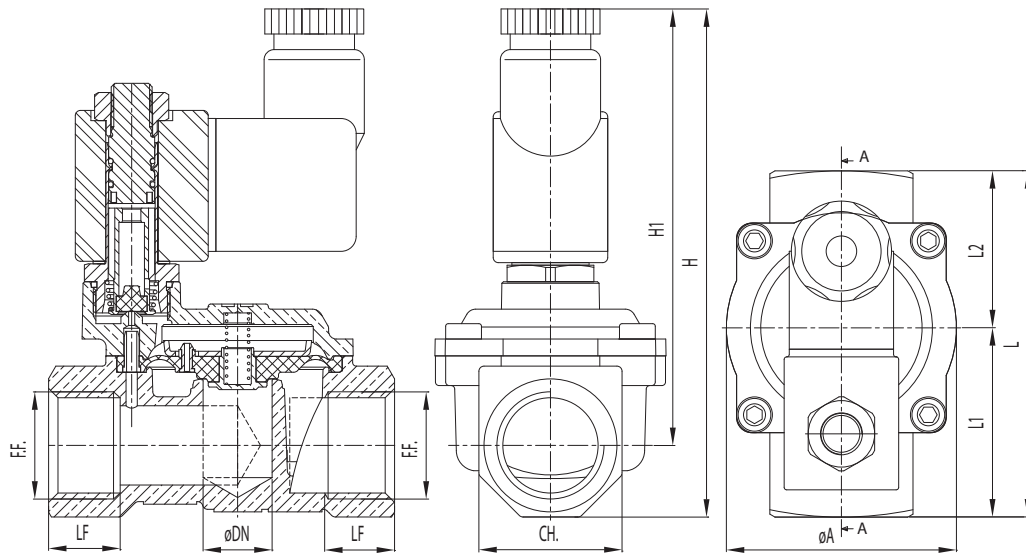
Temperature -20°C to 90°C

Kv Values

Size	3/8"	1/2"	3/4"	1"	1 1/4"	1 1/2"	2"
Kv	2.6	3.5	5.8	9.5	12.5	31.0	45.0

Dimensions

F.F	3/8"	1/2"	3/4"	1"	1 1/4"	1 1/2"	2"
ØDN	11.5	13.5	18.0	26.0	32.0	45.0	50.0
L.F	11.5	14.0	13.5	17.5	21.5	22.5	24.0
CH.	24.0	28.0	34.0	42.0	53.0	62.0	73.0
L1	31.5	37.0	39.5	49.5	57.0	72.0	77.3
L2	25.5	30.7	34.5	43.5	54.5	66.0	67.7
L	57.0	67.7	74.0	93.0	111.5	138.0	145.0
ØA	41.5	45.0	54.0	71.0	86.6	110.0	121.0
H1	81.3	85.3	88.7	95.9	122.8	131.0	136.8
H	93.3	99.3	105.7	116.9	149.3	161.0	173.3



DIN 43650 A

