

Cast Iron Knife Gate Valve - Unidirectional - Handwheel Operated

LV 9989

Lugged PN10, Cast Iron Powder Coated Body, 304 Stainless Steel Gate, EPDM Seat, Unidirectional, Non-rising Stem, Handwheel Operated



Pressure / Temperature Specifications

Pressure	PN10 2" to 10"	PN6 12"
Temperature	-20°C to 110°C	

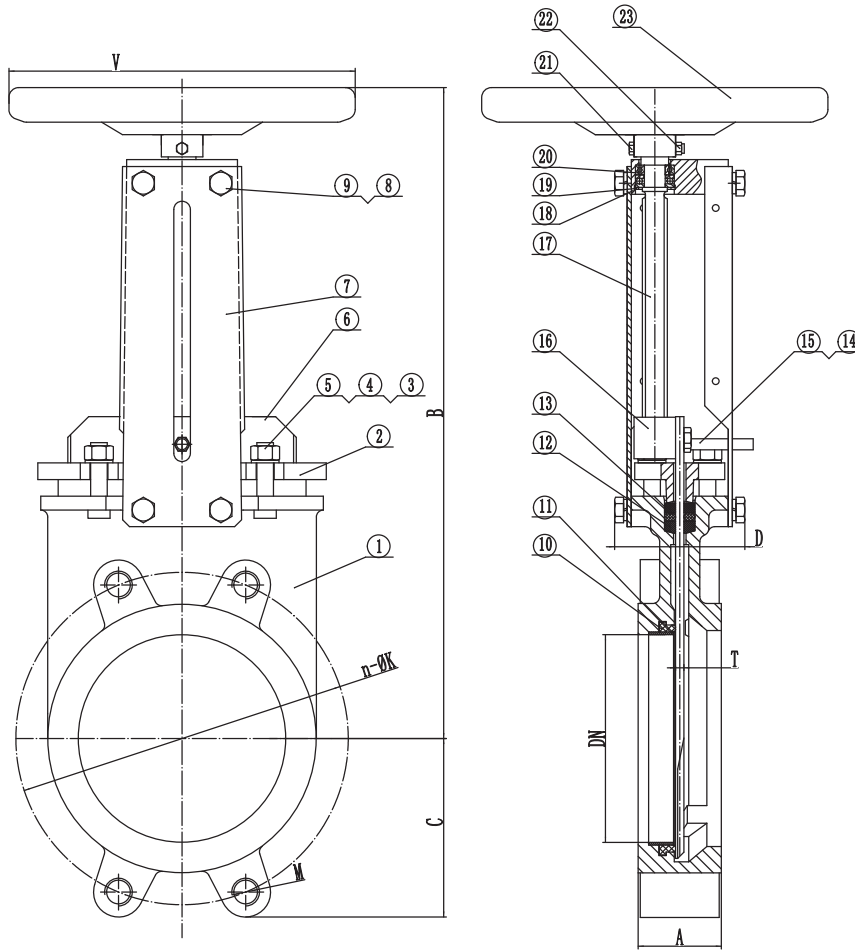
Material Specifications

1. Body	GGG40 Cast Iron
2. Packing Gland	GGG40 Cast Iron
3. Nut	304 Stainless Steel
4. Washer	304 Stainless Steel
5. Stud A Bolt	304 Stainless Steel
6. Gate	304 Stainless Steel
7. Plate Stay	Steel
8. Bolt	304 Stainless Steel
9. Spring Washer	304 Stainless Steel
10. Seat	EPDM
11. Retainer	304 Stainless Steel
12. Packing	PTFE
13. O-ring	NBR
14. Position Indicator	304 Stainless Steel
15. Nut	304 Stainless Steel
16. Stem Nut	Bronze
17. Stem	304 Stainless Steel
18. Connection Seat	Steel
19. Closing Ring	65MN
20. Bearing	Steel
21. Bolt	304 Stainless Steel
22. Nut	304 Stainless Steel
23. Handwheel	Steel

Further information on Page 2

Cast Iron Knife Gate Valve - Unidirectional - Handwheel Operated

LV 9989



Dimensions

DN	A	B	C	D	V	K	T	n	M	Kg
2"	40	289	65	87	200	125	5	4	M16	9.0
2½"	40	313	70	87	200	145	5	4	M16	11.0
3"	50	335	95	87	200	160	5	8	M16	12.0
4"	50	380	108	87	200	180	5	8	M16	13.0
5"	50	415	124	98	250	210	6	8	M16	18.0
6"	60	470	135	98	250	240	6	8	M20	22.0
8"	60	580	165	123	300	295	8	8	M20	40.0
10"	70	670	198	123	300	350	8	12	M20	50.0
12"	80	768	234	123	300	400	10	12	M20	60.0

Last updated 08/11/2023