

Cast Iron Knife Gate Valve - Unidirectional - F10 Mounting Pad

LV 9988

Lugged PN10, Cast Iron Powder Coated Body, 304 Stainless Steel Gate, EPDM Seat, Unidirectional, Non-rising Stem, F10 Mounting Pad



Pressure / Temperature Specifications

Pressure	PN10 2" to 10"	PN6 12"
Temperature	-20°C to 110°C	

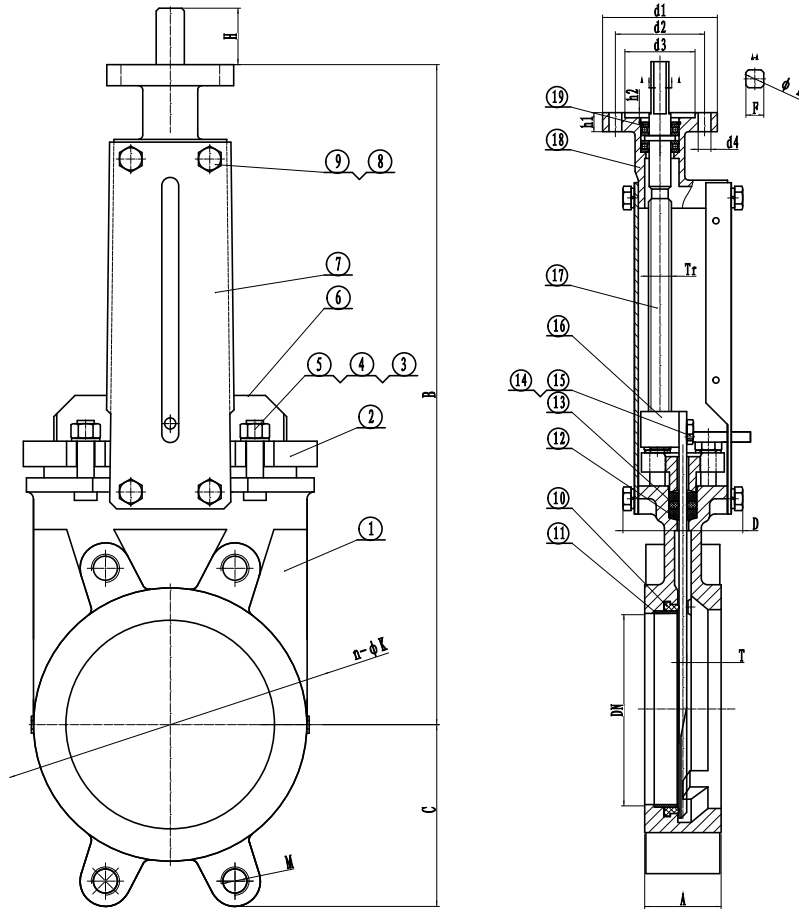
Material Specifications

1. Body	GGG40 Cast Iron
2. Packing Gland	GGG40 Cast Iron
3. Nut	304 Stainless Steel
4. Washer	304 Stainless Steel
5. Stud A Bolt	304 Stainless Steel
6. Gate	304 Stainless Steel
7. Plate Stay	Steel
8. Bolt	304 Stainless Steel
9. Spring Washer	304 Stainless Steel
10. Seat	EPDM
11. Retainer	304 Stainless Steel
12. Packing	PTFE
13. O-ring	NBR
14. Position Indicator	304 Stainless Steel
15. Nut	304 Stainless Steel
16. Stem Nut	Bronze
17. Stem	304 Stainless Steel
18. Mounting Pad	Steel
19. Bearing	Steel

Further information on Page 2

Cast Iron Knife Gate Valve - Unidirectional - F10 Mounting Pad

LV 9988



Dimensions

DN	A	B	C	D	H	Tr	h1	h2	d1	d2	d3	d4
2"	40	294	65	87	40	Tr16 x 4-LH	15	4	90	70	55	4 x Ø10
2½"	40	321	70	87	40	Tr16 x 4-LH	15	4	90	70	55	4 x Ø10
3"	50	339	95	87	40	Tr16 x 4-LH	15	4	90	70	55	4 x Ø10
4"	50	386	108	87	40	Tr16 x 4-LH	15	4	90	70	55	4 x Ø10
5"	50	416	124	98	40	Tr18 x 4-LH	15	4	90	70	55	4 x Ø10
6"	60	468	135	98	40	Tr18 x 4-LH	15	4	90	70	55	4 x Ø10
8"	60	575	165	123	60	Tr22 x 4-LH	17	5	125	102	70	4 x Ø12
10"	70	656	198	123	60	Tr22 x 4-LH	17	5	125	102	70	4 x Ø12
12"	80	773	234	123	60	Tr22 x 4-LH	17	5	125	102	70	4 x Ø12

Dimensions

DN	E	F	K	T	n	M	Kg
2"	15	12	125	5	4	M16	8.7
2½"	15	12	145	5	4	M16	10.7
3"	15	12	160	5	8	M16	11.7
4"	15	12	180	5	8	M16	12.7
5"	17	14	210	6	8	M16	17.7
6"	17	14	240	6	8	M20	21.7
8"	20	16	295	8	8	M20	39.7
10"	20	16	350	8	12	M20	49.7
12"	20	16	400	10	12	M20	64.7