

# Lugged & Tapped Butterfly Valve - PTFE Liner

LV 9937

ISO 5211 for Direct Mount, Epoxy Coated Ductile Iron Body, 316 Stainless Steel Disc, PTFE Liner, Locking Lever Operation 1½" to 5", Gearbox Operation 8" to 16", Complies with 97/23/CE (PED) Directive CE 1115. *Note: 6" are available with gearbox or lever but gearboxes are strongly recommended due to the forces required to close the valve.*



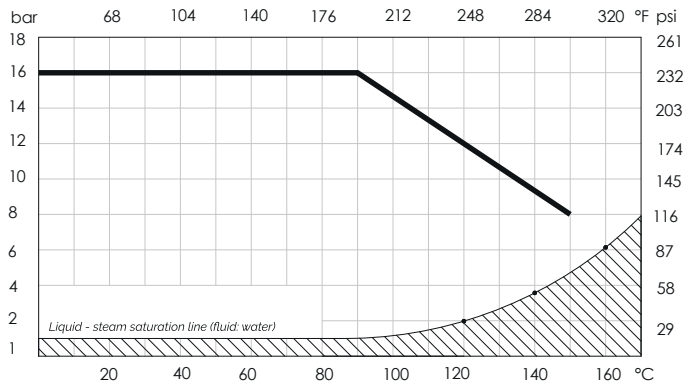
### Pressure / Temperature Specifications

Pressure	PN16 1½" to 16"
Temperature	-10°C to 120°C

### Material Specifications

1. Body	EN GJS 400 - 15 Ductile Iron
2. Disc	CF8M Stainless Steel
3. Stem	AISI 420 Stainless Steel
4. Liner	PTFE
5. Bushing	PTFE
6. Washer	Galvanised Carbon Steel
7. Circlip	Spring Steel
8. O-ring	Viton
9. Lever (1" to 10")	1" to 6" Aluminium 8" & 10" EN GJS 400 - 15 Ductile Iron
10. Bolts	AISI 201 Stainless Steel

### Pressure / Temperature Chart



### Weight

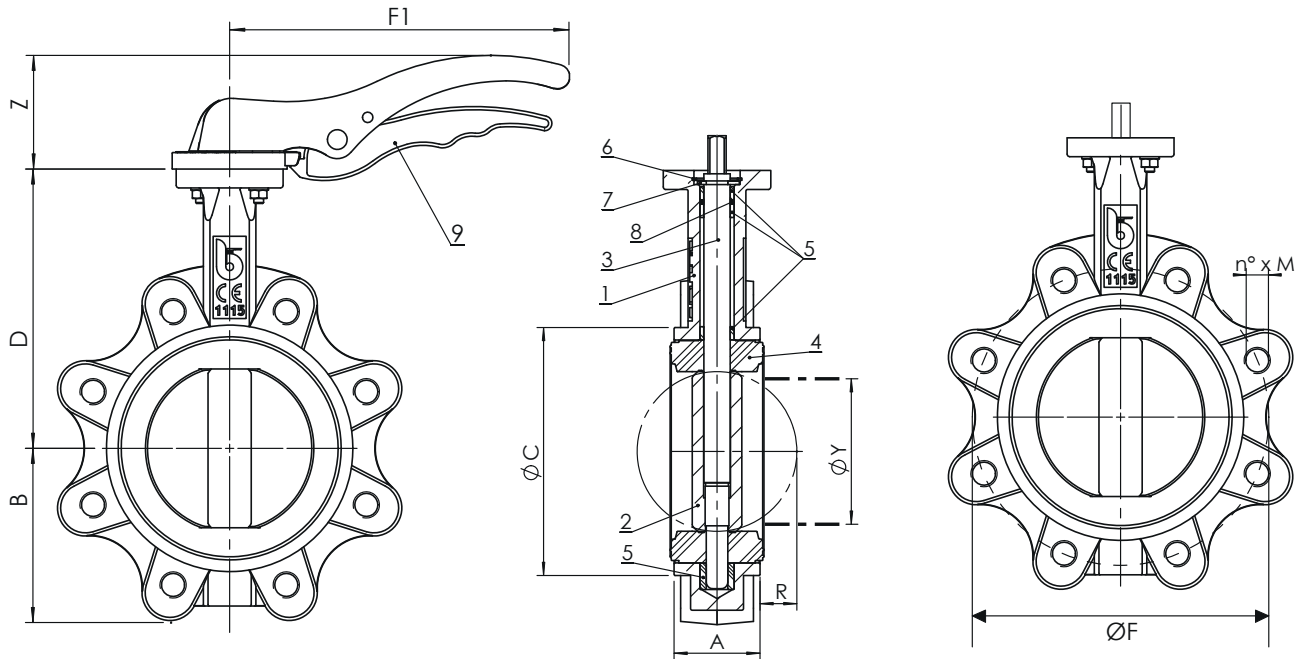
Size	with Lever	with Gearbox
1½"	2.3	6.3
2"	3.2	7.2
2½"	4.1	8.1
3"	5.4	9.2
4"	6.7	10.5
5"	9.6	12.9
6"	10.8	14.1
8"	-	28.4
10"	-	42.0
12"	-	50.5
14"	-	79.3
16"	-	122.6

### Operating Torque (Nm)

Size	3 Bar	6 Bar	10 Bar	16 Bar
1½"	7.8	8.4	8.8	9.2
2"	11.3	12.0	13.0	13.0
2½"	17.0	18.0	20.0	21.0
3"	23.0	25.0	26.0	28.0
4"	33.0	36.0	40.0	44.0
5"	48.0	54.0	61.0	68.0
6"	68.0	78.0	88.0	99.0
8"	120.0	134.0	148.0	162.0
10"	189.0	212.0	234.0	257.0
12"	290.0	316.0	342.0	367.0
14"	298.0	347.0	396.0	550.0
16"	481.0	551.0	622.0	850.0

# Lugged & Tapped Butterfly Valve - PTFE Liner

LV 9937



Dimensions								
Size	A	B	ØC	D	F1	R	ØY	Z
1½"	33	63	82	116	170	5	27	50
2"	43	62	89	126	170	5	31	50
2½"	46	69	102	136	170	9	45	50
3"	46	90	118	150	206	17	65	69
4"	52	106	150	170	206	26	90	69
5"	56	119	174	180	285	34	110	90
6"	56	131	205	200	285	50	146	90
8"	60	166	260	230	-	71	194	-
10"	68	202	318	266	-	91	241	-
12"	78	235	376	292	-	112	291	-
14"	78	257	406	335	-	128	324	-
16"	102	292	471	360	-	144	379	-

Drilling Dimensions				
Size	PN10		PN16	
	ØF	No x M	ØF	No x M
1½"	110	4 x 16	110	4 x 16
2"	125	4 x 16	125	4 x 16
2½"	145	4 x 16	145	4 x 16
3"	160	8 x 16	160	8 x 16
4"	180	8 x 16	180	8 x 16
5"	210	8 x 16	210	8 x 16
6"	240	8 x 20	240	8 x 20
8"	295	8 x 20	295	12 x 20
10"	350	12 x 20	355	12 x 24
12"	400	12 x 20	410	12 x 24
14"	460	16 x 20	470	16 x 24
16"	515	16 x 24	525	16 x 27

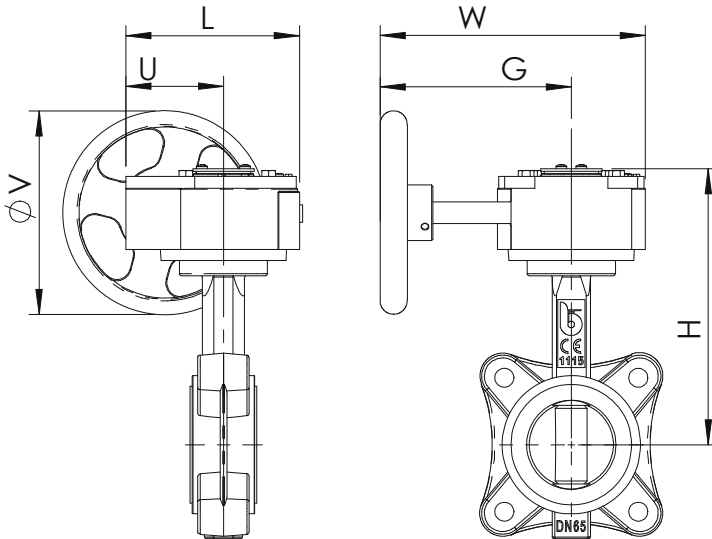
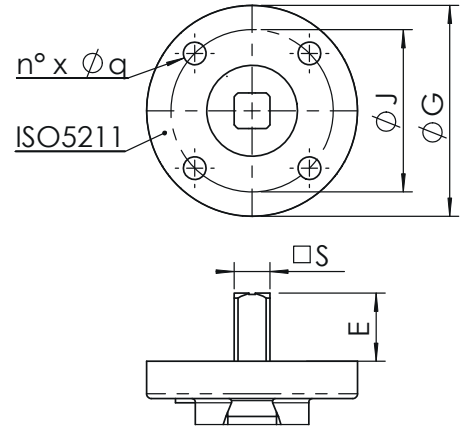
Note: Our stocked range is suitable for both PN10 and PN16 up to 6". We stock 8" in PN10 or PN16 (please specify on order). Our stocked products from 10" to 16" are PN16. 10" to 16" PN10 are available to order.

# Lugged & Tapped Butterfly Valve - PTFE Liner

LV 9937

Mounting Plate Dimensions

Size	ISO	G	J	No x Øq	S	E
1½"	F05	65	50	4 x 7	9	21
2"	F05	65	50	4 x 7	9	21
2½"	F05	65	50	4 x 7	9	21
3"	F05	65	50	4 x 7	11	21
4"	F05	65	50	4 x 7	11	21
5"	F07	90	70	4 x 9	14	27
6"	F07	90	70	4 x 9	14	27
8"	F10	125	102	4 x 11	17	27
10"	F12	150	125	4 x 13	27	27
12"	F12	150	125	4 x 13	27	27
14"	F12	150	125	4 x 13	27	27
16"	F12	150	125	4 x 13	27	27



Dimensions with Gearbox

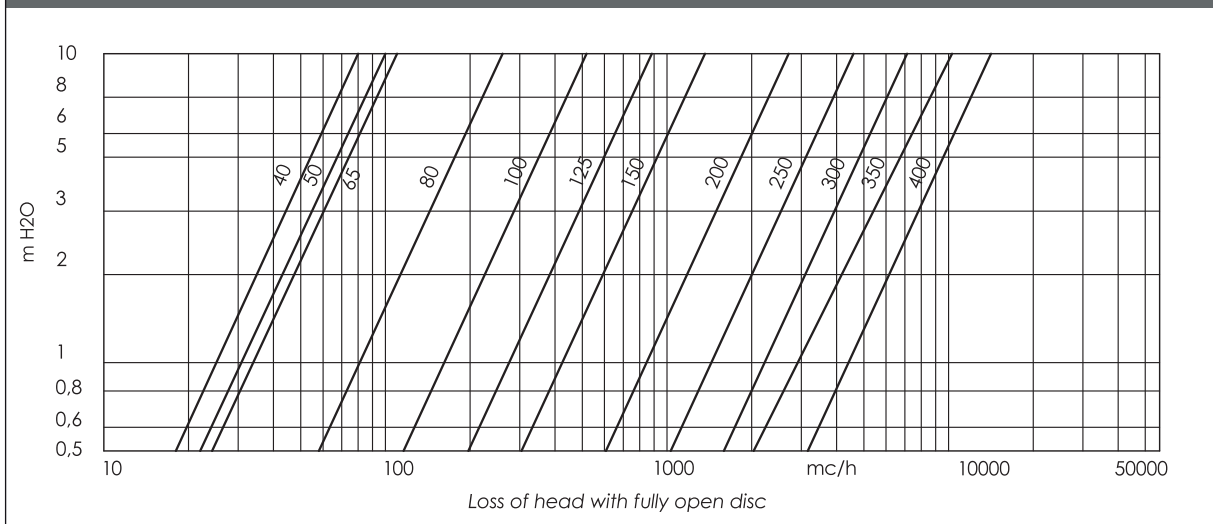
Size	L	U	H	W	G	V
1½"	130	77	178	225	170	150
2"	130	77	188	225	170	150
2½"	130	77	198	225	170	150
3"	130	77	212	225	170	150
4"	130	77	232	225	170	150
5"	130	77	242	225	170	150
6"	130	77	262	225	170	150
8"	180	104	308	338	260	300
10"	205	124	346	345	260	300
12"	205	124	372	345	260	300
14"	205	124	448	345	260	300
16"	278	118	497	291	167	380

# Lugged & Tapped Butterfly Valve - PTFE Liner

LV 9937

KV Values									
Size	10°	20°	30°	40°	50°	60°	70°	80°	90°
1½"	0.04	2.1	4.8	10.0	19.0	30.0	48.0	73.0	79.0
2"	0.05	2.6	6.0	13.0	23.0	38.0	60.0	91.0	99.0
2½"	0.00	3.8	14.0	33.0	53.0	75.0	98.0	108.0	108.0
3"	0.17	7.8	16.0	34.0	60.0	100.0	158.0	237.0	261.0
4"	0.26	15.0	31.0	67.0	120.0	199.0	314.0	471.0	518.0
5"	0.43	25.0	53.0	115.0	205.0	339.0	535.0	803.0	883.0
6"	0.69	39.0	82.0	177.0	316.0	522.0	827.0	1241.0	1364.0
8"	2.6	52.0	142.0	250.0	450.0	713.0	1122.0	1723.0	2716.0
10"	2.6	130.0	276.0	599.0	1068.0	1768.0	2798.0	4196.0	4611.0
12"	3.5	202.0	427.0	926.0	1650.0	2730.0	4322.0	6483.0	7124.0
14"	5.2	292.0	617.0	1376.0	2384.0	3945.0	6243.0	9364.0	10291.0
16"	6.9	401.0	849.0	1839.0	3279.0	5425.0	8585.0	12878.0	14152.0

Head Loss Chart (Fluid: Water [1m H<sub>2</sub>O = 0.098 Bar] Head Loss with Valve Fully Opened)



Flow Rate / Opening Position Chart (Flow percentage on the flow at full opening under the same head loss)

