

# Lugged & Tapped Butterfly Valve - NBR Liner - PN16

LV 9936

ISO 5211 for Direct Mount, Aluminium Bronze Body & Disc, NBR Liner,  
Locking Lever Operation, Complies with 97/23/CE (PED) Directive CE 1115

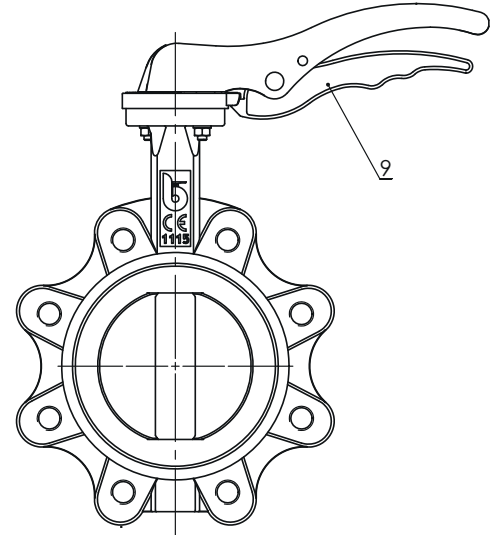


## Pressure / Temperature Specifications

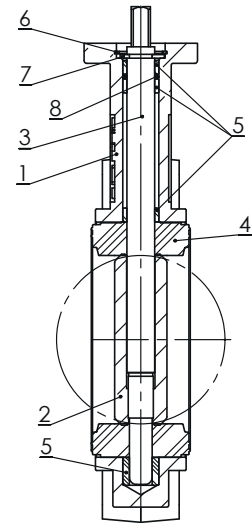
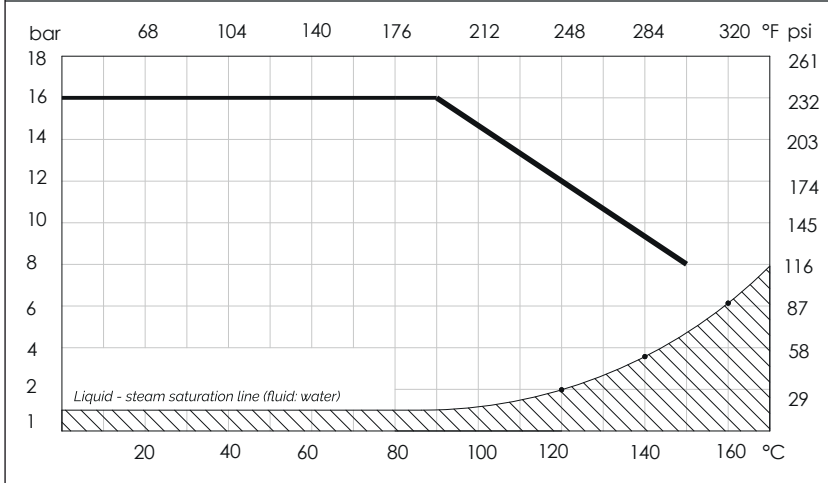
Pressure	PN16
Temperature	-10°C to 80°C (90°C Peak)

## Material Specifications

1. Body	C954 Aluminium Bronze
2. Disc	C954 Aluminium Bronze
3. Stem	SS420 Stainless Steel
4. Liner	NBR
5. Bushing	PTFE
6. Washer	Steel
8. O-ring	NBR
9. Lever	1½" to 6" Aluminium
9. Lever	8" EN GJS 400-15 Ductile Iron
Bolts	AISI 201 Stainless Steel



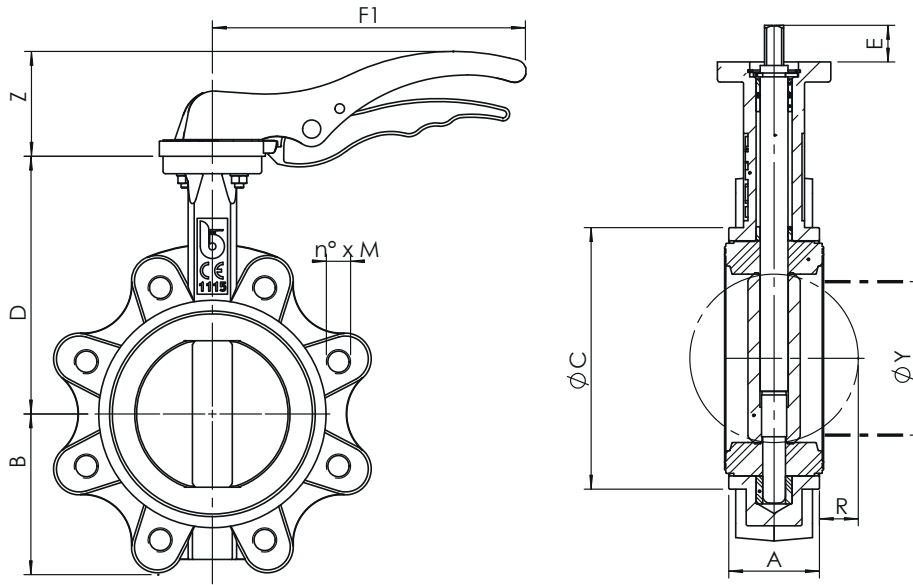
## Pressure / Temperature Chart



Further information on Page 2

# Lugged & Tapped Butterfly Valve - NBR Liner - PN16

LV 9936

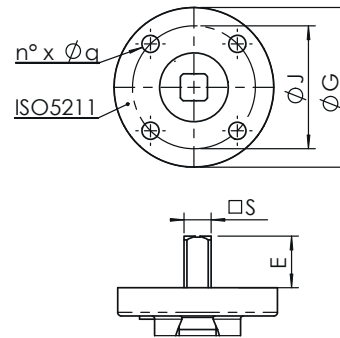


Valve Dimensions

Size	A	ØC	D	B	F1	Z	R	ØY <sub>(min)</sub>	n° x M	Kg
1½"	33	82	116	63	170	50	5	27	4 x M16	2.4
2"	43	89	126	62	170	50	5	31	4 x M16	2.8
2½"	46	102	136	69	170	50	9	45	4 x M16	3.7
3"	46	118	150	77	206	69	17	65	8 x M16	4.5
4"	52	150	170	96	206	69	26	90	8 x M16	5.2
5"	56	174	180	114	285	90	34	110	8 x M16	9.0
6"	56	205	200	128	285	90	50	146	8 x M20	10.0
8"	60	260	228.5	166	400	72	71	194	12 x M20	15.2

Topworks Dimensions

Size	ISO	G	J	n° x Øq	S	E
1½"	F05	65	50	4 x 7	9	21
2"	F05	65	50	4 x 7	9	21
2½"	F05	65	50	4 x 7	9	21
3"	F05	65	50	4 x 7	11	21
4"	F05	65	50	4 x 7	11	21
5"	F07	90	70	4 x 9	14	27
6"	F07	90	70	4 x 9	14	27
8"	F10	125	102	4 x 11	17	27



Torque Figures

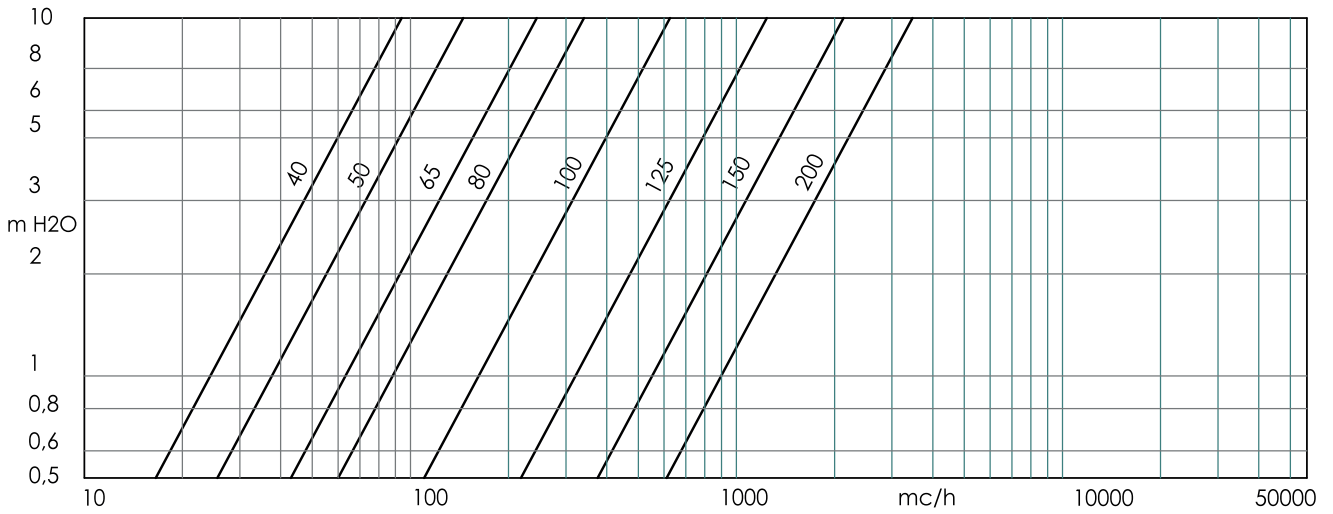
Size	Nm
1½"	11.0
2"	11.0
2½"	20.0
3"	22.0
4"	44.0
5"	77.0
6"	110.0
8"	157.0

Further information on Page 3

# Lugged & Tapped Butterfly Valve - NBR Liner - PN16

LV 9936

Pressure Loss Chart



Kv Values

Opening Angle	1½"	2"	2½"	3"	4"	5"	6"	8"
20°	3.0	9.0	12.0	1.0	31.0	67.0	111.0	191.0
30°	6.0	10.0	17.0	27.0	48.0	100.0	162.0	284.0
40°	13.0	21.0	31.0	45.0	82.0	174.0	284.0	476.0
50°	21.0	32.0	51.0	75.0	133.0	284.0	464.0	795.0
60°	30.0	64.0	99.0	151.0	267.0	557.0	911.0	1,479.0
70°	52.0	84.0	128.0	191.0	348.0	708.0	1,172.0	1,989.0
80°	81.0	128.0	195.0	290.0	539.0	1,137.0	1,873.0	3,097.0
90°	93.0	157.0	244.0	360.0	626.0	1,276.0	2,216.0	3,695.0

Flow Rate / Opening Position Chart

