

# Multi-flange Wafer Pattern Butterfly Valve - Silicone Free EPDM Liner

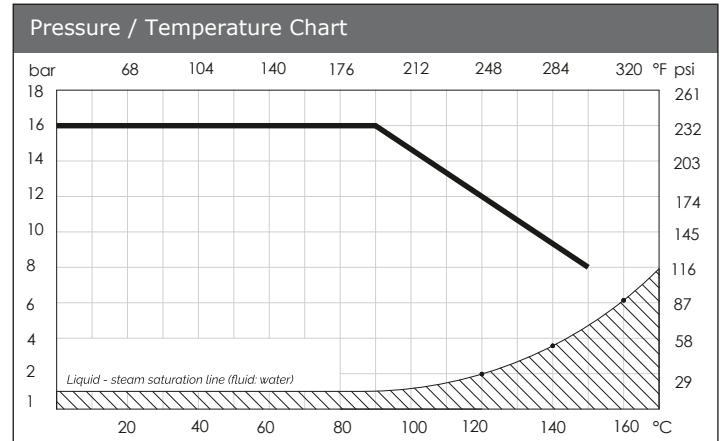
LV 9930

ISO 5211 for Direct Mount, Epoxy Coated Ductile Iron Body, 316 Stainless Steel Disc,  
Silicone Free EPDM Liner, Locking Lever Operation.  
Complies with 97/23/CE (PED) Directive CE 1115.



| Pressure / Temperature Specifications |                             |
|---------------------------------------|-----------------------------|
| Pressure                              | PN16                        |
| Temperature                           | -10°C to 120°C (130°C Peak) |

| Material Specifications |  |
|-------------------------|--|
| 1. Body                 | EN GJS 400 - 15 Ductile Iron                           |
| 2. Disc                 | CF8M Stainless Steel                                   |
| 3. Stem                 | AISI 420 Stainless Steel                               |
| 4. Liner                | Silicone Free EPDM                                     |
| 5. Bushing              | PTFE   |
| 6. Washer               | Galvanised Carbon Steel                                |
| 7. Circlip              | Spring Steel   |
| 8. O-ring               | Viton  |
| 9. Lever                | 1½" to 6" Aluminium<br>8" EN GJS 400 - 15 Ductile Iron |
| 10. Bolts               | Galvanised Carbon Steel                                |



| Weight |            |              |
|--------|------------|--------------|
| Size   | with Lever | with Gearbox |
| 1½"    | 1.8        | 5.8          |
| 2"     | 2.1        | 6.1          |
| 2½"    | 2.4        | 6.4          |
| 3"     | 3.2        | 7.0          |
| 4"     | 4.3        | 8.1          |
| 5"     | 6.3        | 9.6          |
| 6"     | 7.8        | 11.1         |
| 8"     | 15.0       | 22.3         |

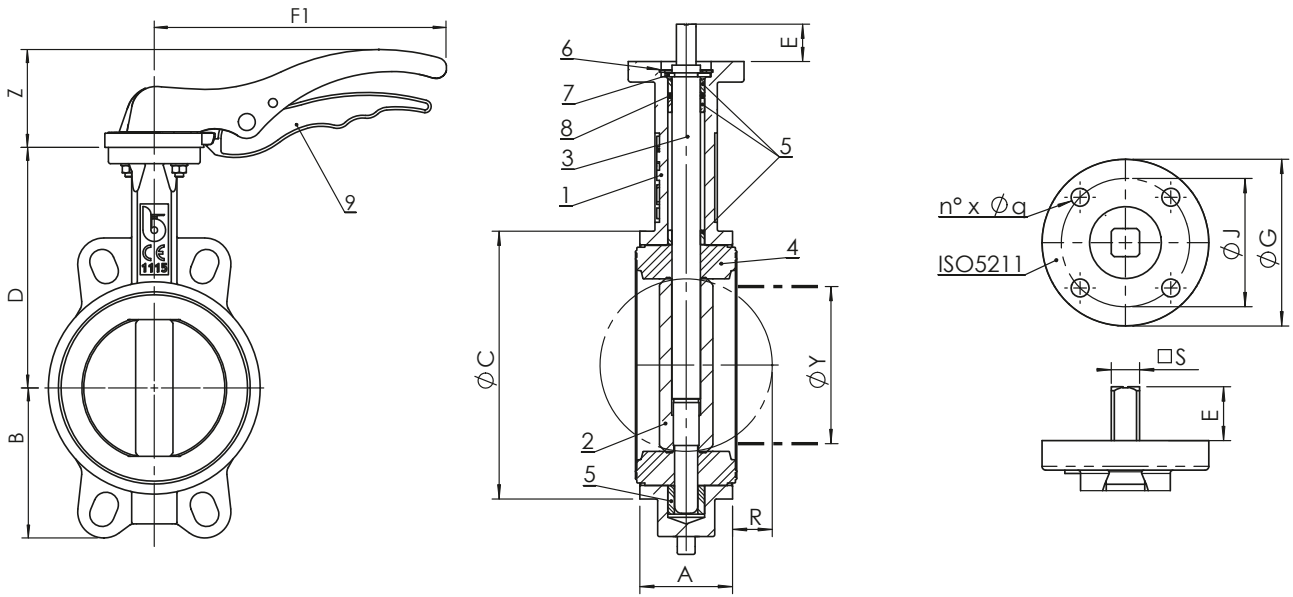
| Operating Torque (Nm) |       |       |        |        |
|-----------------------|-------|-------|--------|--------|
| Size                  | 3 Bar | 6 Bar | 10 Bar | 16 Bar |
| 1½"                   | 7.8   | 8.4   | 8.8    | 9.2    |
| 2"                    | 11.3  | 12.0  | 13.0   | 13.0   |
| 2½"                   | 17.0  | 18.0  | 20.0   | 21.0   |
| 3"                    | 23.0  | 25.0  | 26.0   | 28.0   |
| 4"                    | 33.0  | 36.0  | 40.0   | 44.0   |
| 5"                    | 48.0  | 54.0  | 61.0   | 68.0   |
| 6"                    | 68.0  | 78.0  | 88.0   | 99.0   |
| 8"                    | 120.0 | 134.0 | 148.0  | 162.0  |

| KV Values |      |      |       |       |       |       |        |        |        |
|-----------|------|------|-------|-------|-------|-------|--------|--------|--------|
| Size      | 10°  | 20°  | 30°   | 40°   | 50°   | 60°   | 70°    | 80°    | 90°    |
| 1½"       | 0.04 | 2.1  | 4.8   | 10.0  | 19.0  | 30.0  | 48.0   | 73.0   | 79.0   |
| 2"        | 0.05 | 2.6  | 6.0   | 13.0  | 23.0  | 38.0  | 60.0   | 91.0   | 99.0   |
| 2½"       | 0.00 | 3.8  | 14.0  | 33.0  | 53.0  | 75.0  | 98.0   | 108.0  | 108.0  |
| 3"        | 0.17 | 7.8  | 16.0  | 34.0  | 60.0  | 100.0 | 158.0  | 237.0  | 261.0  |
| 4"        | 0.26 | 15.0 | 31.0  | 67.0  | 120.0 | 199.0 | 314.0  | 471.0  | 518.0  |
| 5"        | 0.43 | 25.0 | 53.0  | 115.0 | 205.0 | 339.0 | 535.0  | 803.0  | 883.0  |
| 6"        | 0.69 | 39.0 | 82.0  | 177.0 | 316.0 | 522.0 | 827.0  | 1241.0 | 1364.0 |
| 8"        | 2.6  | 52.0 | 142.0 | 250.0 | 450.0 | 713.0 | 1122.0 | 1723.0 | 2716.0 |

| Flange Suitability |     |      |      |          |         |         |
|--------------------|-----|------|------|----------|---------|---------|
| Size               | PN6 | PN10 | PN16 | ANSI 150 | Table D | Table E |
| 1½" & 2"           | ✓   | ✓    | ✓    | ✓        | ✓       | ✓       |
| 2½"                | ✓   | ✓    | ✓    | ✓        |         |         |
| 3" to 8"           | ✓   | ✓    | ✓    | ✓        | ✓       | ✓       |

# Multi-flange Wafer Pattern Butterfly Valve - Silicone Free EPDM Liner

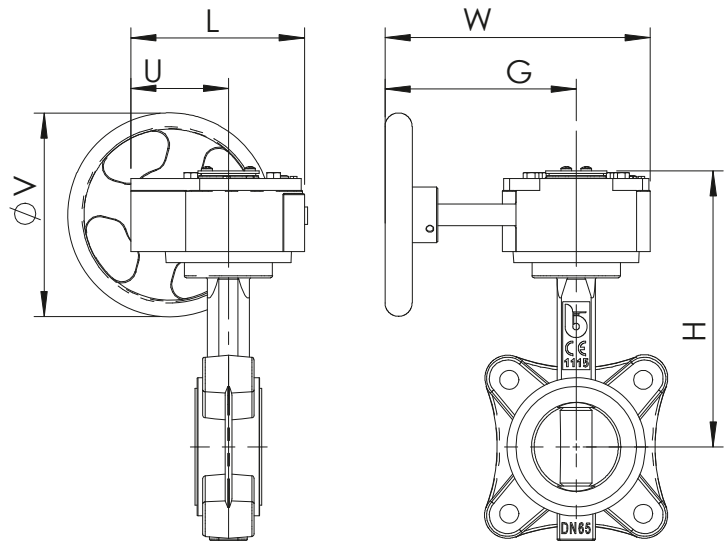
LV 9930



| Dimensions |    |     |     |     |     |    |     |    |
|------------|----|-----|-----|-----|-----|----|-----|----|
| Size       | A  | B   | ØC  | D   | F1  | R  | ØY  | Z  |
| 1½"        | 33 | 63  | 82  | 116 | 170 | 5  | 27  | 50 |
| 2"         | 43 | 62  | 89  | 126 | 170 | 5  | 31  | 50 |
| 2½"        | 46 | 69  | 102 | 136 | 170 | 9  | 45  | 50 |
| 3"         | 46 | 90  | 118 | 150 | 206 | 17 | 65  | 69 |
| 4"         | 52 | 106 | 150 | 170 | 206 | 26 | 90  | 69 |
| 5"         | 56 | 119 | 174 | 180 | 285 | 34 | 110 | 90 |
| 6"         | 56 | 131 | 205 | 200 | 285 | 50 | 146 | 90 |
| 8"         | 60 | 166 | 260 | 230 | 400 | 71 | 194 | 72 |

| Mounting Plate Dimensions |     |     |     |         |    |    |
|---------------------------|-----|-----|-----|---------|----|----|
| Size                      | ISO | G   | J   | No x Øq | S  | E  |
| 1½"                       | F05 | 65  | 50  | 4 x 7   | 9  | 21 |
| 2"                        | F05 | 65  | 50  | 4 x 7   | 9  | 21 |
| 2½"                       | F05 | 65  | 50  | 4 x 7   | 9  | 21 |
| 3"                        | F05 | 65  | 50  | 4 x 7   | 11 | 21 |
| 4"                        | F05 | 65  | 50  | 4 x 7   | 11 | 21 |
| 5"                        | F07 | 90  | 70  | 4 x 9   | 14 | 27 |
| 6"                        | F07 | 90  | 70  | 4 x 9   | 14 | 27 |
| 8"                        | F10 | 125 | 102 | 4 x 11  | 17 | 27 |

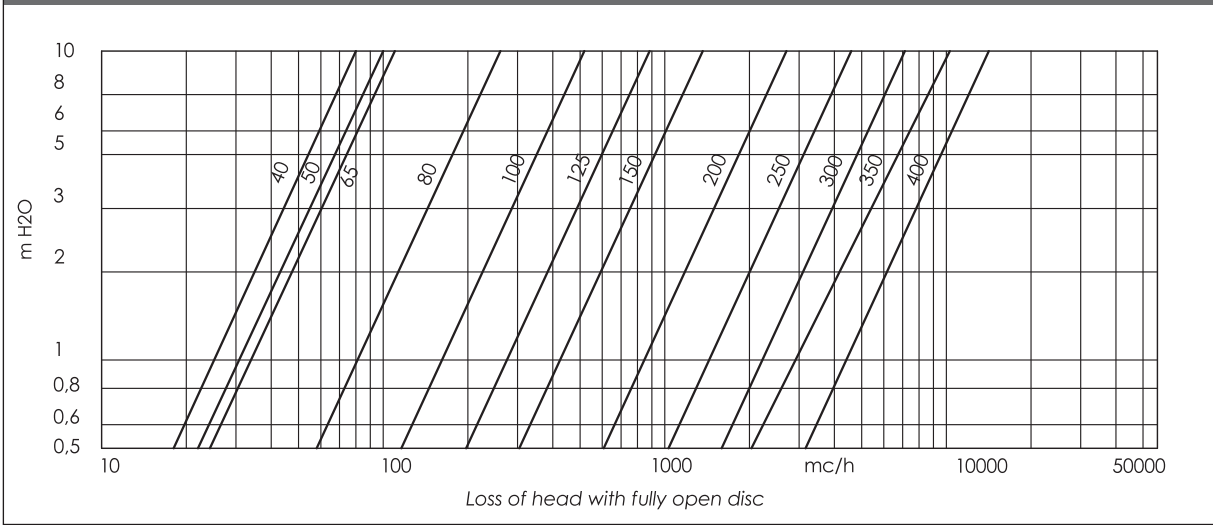
| Dimensions with Gearbox |     |     |     |     |     |     |
|-------------------------|-----|-----|-----|-----|-----|-----|
| Size                    | L   | U   | H   | W   | G   | V   |
| 1½"                     | 130 | 77  | 178 | 225 | 170 | 150 |
| 2"                      | 130 | 77  | 188 | 225 | 170 | 150 |
| 2½"                     | 130 | 77  | 198 | 225 | 170 | 150 |
| 3"                      | 130 | 77  | 212 | 225 | 170 | 150 |
| 4"                      | 130 | 77  | 232 | 225 | 170 | 150 |
| 5"                      | 130 | 77  | 242 | 225 | 170 | 150 |
| 6"                      | 130 | 77  | 262 | 225 | 170 | 150 |
| 8"                      | 180 | 104 | 308 | 338 | 260 | 300 |



# Multi-flange Wafer Pattern Butterfly Valve - Silicone Free EPDM Liner

LV 9930

Head Loss Chart (Fluid: Water [1m H<sub>2</sub>O = 0.098 Bar] Head Loss with Valve Fully Opened)



Flow Rate / Opening Position Chart (Flow percentage on the flow at full opening under the same head loss)

