

Cast Iron Check Valve & Strainer

LV 9780

Screwed BSPP, Cast Iron Body, Brass Trim, NBR Seat

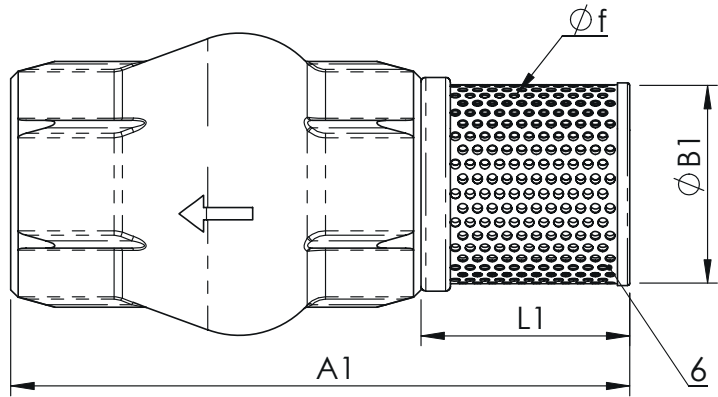
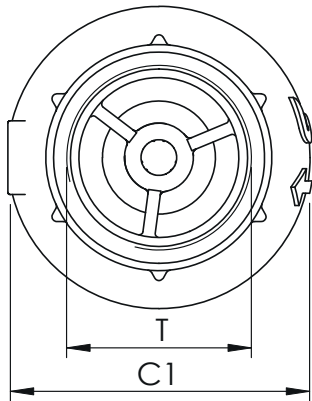
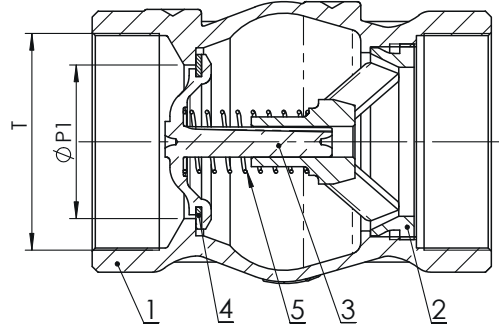


Pressure / Temperature Specifications

Pressure	PN16
Temperature	-10°C to 100°C (110°C Peak)

Material Specifications

1. Body	EN GJL 250 Cast Iron
2. Stem Guide	CuZn40Pb2 Brass
3. Shutter	CuZn40Pb2 Brass
4. Gasket	NBR
5. Spring	302 Stainless Steel
6. Filter	304 Stainless Steel



Dimensions

Size(τ)	P1	A1	C1	L1	Øf	ØB1	Kg
2"	50	225	96	85	0.95	62	2.3
2½"	64	252	125	85	0.95	81	3.3
3"	64	282	125	105	0.95	93	4.3
4"	80	326	148	118	0.95	117	7.6

Cracking Pressure (mmH₂O)

Size	Flow Direction:	↑	↓	↔	↑ (without spring)
2"		639	647	592	624
2½"		382	316	280	318
3"		510	480	436	470
4"		125	165	155	152

Pressure / Temperature Chart

