

BSI Gas Approved Butterfly Valve

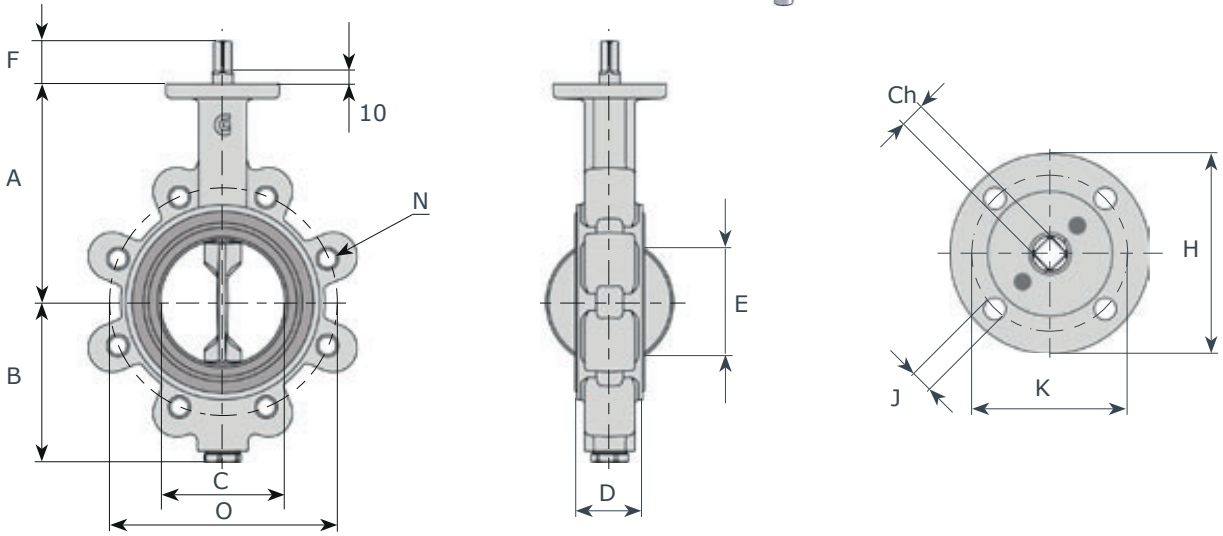
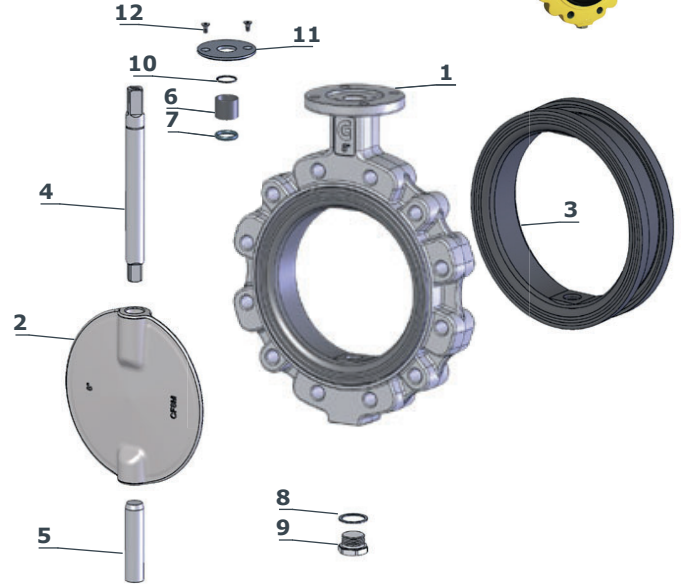
LV 95 BLK

Fully Lugged PN16, Epoxy Coated Ductile Iron Body, Stainless Steel Disc, Vulcanised NBR Liner, Lever Operated, Gas Approved, M9 Specifications T/SP/PRS/38



Pressure / Temperature Specifications	
Pressure	PN16
Temperature	-25°C to 100°C

Material Specifications	
1. Body	GS400 Ductile Iron
2. Disc	CF8M Stainless Steel
3. Seat	Vulcanised NBR
4. Upper Stem	AISI 430 Stainless Steel
5. Lower Stem	AISI 430 Stainless Steel
6. Bush	Bronze
7. Stem Packing	NBR
8. Plug Packing	Aluminium
9. Plug	Zinc Plated Steel
10. Stop Ring	Steel
11. Upper Flange	IXEF 2" to 6" Aluminium 8" & 10"
12. Screw	Zinc Plated Steel



Valve Dimensions										
Size	A	B	C	D	E	F	N	No.	O	Kg
2"	138	81	55	43	35	34	M16	4	125	3.7
3"	158	110	81	46	67	34	M16	8	160	6.1
4"	173	128	101	52	87	34	M16	8	180	8.1
6"	202	155	150	56	140	34	M20	8	240	11.5
8"	240	190	200	60	191	38	M20	12	295	27.0
10"	270	220	250	68	241	38	M24	12	355	34.0

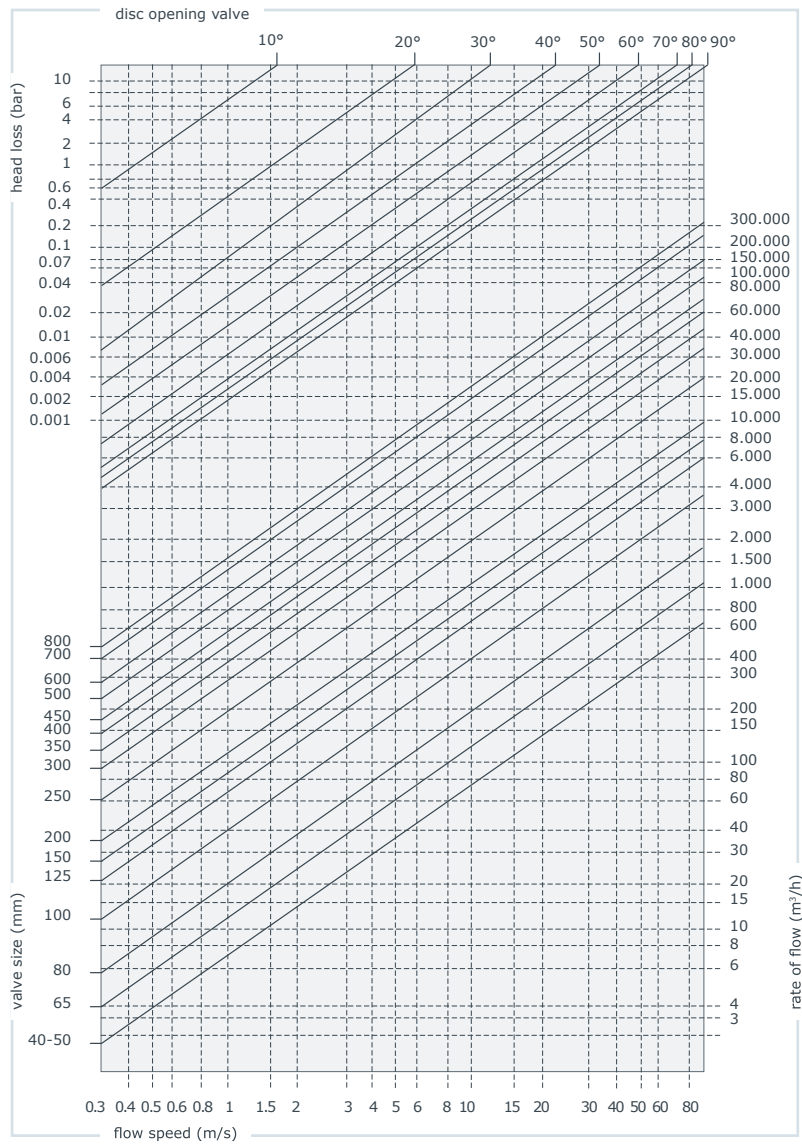
Upper Flange Dimensions						
Size	Ch	H	K	J	ISO	No. Holes
2"	11	90	70	9	F07	4
3"	11	90	70	9	F07	4
4"	11	90	70	9	F07	4
6"	14	90	70	9	F07	4
8"	17	125	102	11	F10	4
10"	22	125	102	11	F10	4

Torque (Nm, H ₂ O @ 20°C)				
√ Size (bar)	> 0	6	10	16
2"	11.0	12.0	13.0	15.0
3"	20.0	30.0	36.0	40.0
4"	40.0	43.0	45.0	48.0
6"	55.0	60.0	84.0	90.0
8"	100.0	107.0	180.0	210.0
10"	160.0	175.0	220.0	320.0

BSI Gas Approved Butterfly Valve

LV 95 BLK

Head Loss Chart



KV Values (CV = x 1.16)

√ Size	Angle (°) >	10	15	20	25	30	35	40	45	50
2"	-	-	0.2	0.9	3.0	6.1	9.9	15.0	21.0	29.0
3"	-	-	1.8	5.2	12.0	21.0	33.0	49.0	68.0	91.0
4"	-	-	2.4	9.5	22.0	39.0	60.0	88.0	121.0	159.0
6"	-	-	5.6	23.0	61.0	112.0	166.0	228.0	303.0	394.0
8"	-	-	14.0	110.0	125.0	211.0	303.0	405.0	528.0	679.0
10"	-	21.0	80.0	156.0	225.0	310.0	433.0	591.0	774.0	988.0
√ Size	Angle (°) >	55	60	65	70	75	80	85	90	
2"	-	39.0	53.0	72.0	92.0	109.0	115.0	115.0	116.0	
3"	-	119.0	156.0	209.0	283.0	381.0	457.0	502.0	508.0	
4"	-	207.0	269.0	357.0	487.0	662.0	815.0	906.0	925.0	
6"	-	505.0	641.0	820.0	1097.0	1507.0	1861.0	2008.0	2168.0	
8"	-	863.0	1085.0	1364.0	1788.0	2425.0	3043.0	3642.0	3838.0	
10"	-	1247.0	1591.0	2065.0	2715.0	3625.0	4768.0	4890.0	5010.0	

BSI Gas Approved Butterfly Valve

LV 95 BLK

Handle Material Specifications

1. Lever	Aluminium
2. Trigger	Aluminium
3. Spring	Stainless Steel
4. Disc Positioner	Aluminium
5. Screws	Stainless Steel

Handle Dimensions

Size	A	B	D	Kg
2"	220	67	93	0.6
3"	220	67	93	0.6
4"	220	67	93	0.6
6"	275	67	93	0.65
8"	340	76	125	1.0
10"	340	76	125	1.0

