

High Performance Butterfly Valve

LV 9558

Wafer to suit PN10/16/25 & ANSI 150 Flanges, Double Offset, Stainless Steel Body, Disc & Shaft, RPTFE Seat, Lever Operated 2" to 5", Gearbox Operated 6" to 12"

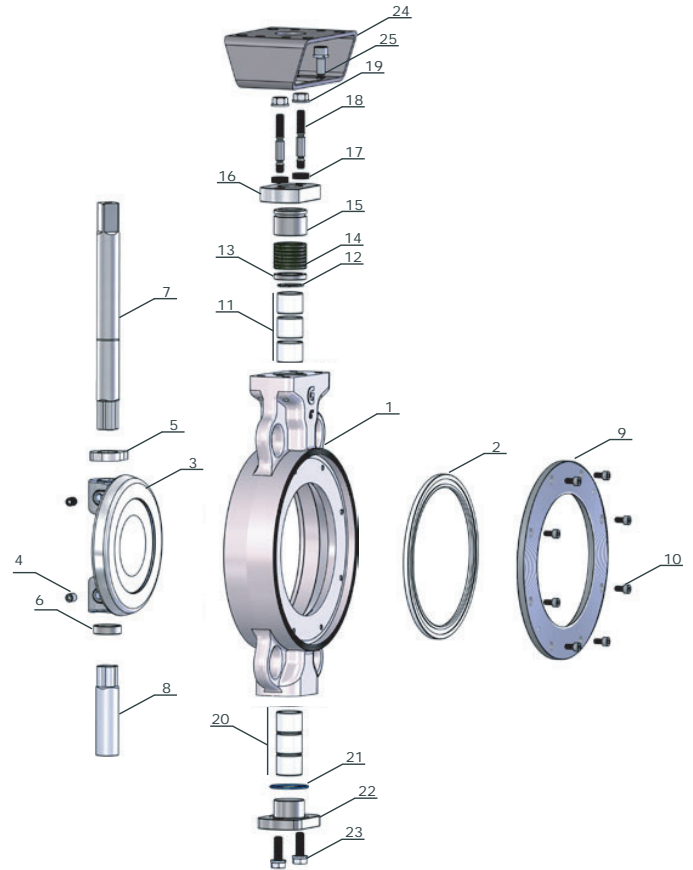


Pressure / Temperature Specifications

Pressure	PN25
Temperature	-60°C to 230°C

Material Specifications

1. Body	ASTM A351 CF8M Stainless Steel
2. Seat	RPTFE
3. Disc	ASTM A351 CF8M Stainless Steel
4. Locking Pins	AISI 316 Stainless Steel
5. Upper Spacer	AISI 316 Stainless Steel
6. Lower Spacer	AISI 316 Stainless Steel
7. Upper Shaft	ASTM A564 Gr. 630 Stainless Steel
8. Lower Shaft	ASTM A564 Gr. 630 Stainless Steel
9. Seat Retainer	AISI 316 Stainless Steel
10. Screw	AISI 316 Stainless Steel
11. Upper Bush	Stainless Steel + PTFE
12. Retaining Ring	A316 Stainless Steel
13. Thrust Block	A316 Stainless Steel
14. Shaft Packing	Graphite
15. Gland	AISI 316 Stainless Steel
16. Gland Flange	AISI 316 Stainless Steel
17. Spring Set	Stainless Steel
18. Rods	AISI 316 Stainless Steel
19. Nut	AISI 316 Stainless Steel
20. Lower Bush	Stainless Steel + PTFE
21. O-ring	PTFE
22. Lower Plug	AISI 316 Stainless Steel
23. Screw	AISI 316 Stainless Steel
24. Upper Flange	Epoxy Coated Steel
25. Screw	AISI 316 Stainless Steel



Torque Figures (Nm, excluding Safety)

Size	2"	2½"	3"	4"	5"	6"	8"	10"	12"
10 Bar	24.0	34.0	38.0	45.0	85.0	130.0	180.0	330.0	580.0
16 Bar	30.0	38.0	45.0	56.0	90.0	145.0	240.0	450.0	640.0
20 Bar	40.0	48.0	54.0	62.0	105.0	170.0	270.0	520.0	740.0
25 Bar	47.0	60.0	68.0	81.0	120.0	210.0	390.0	580.0	850.0

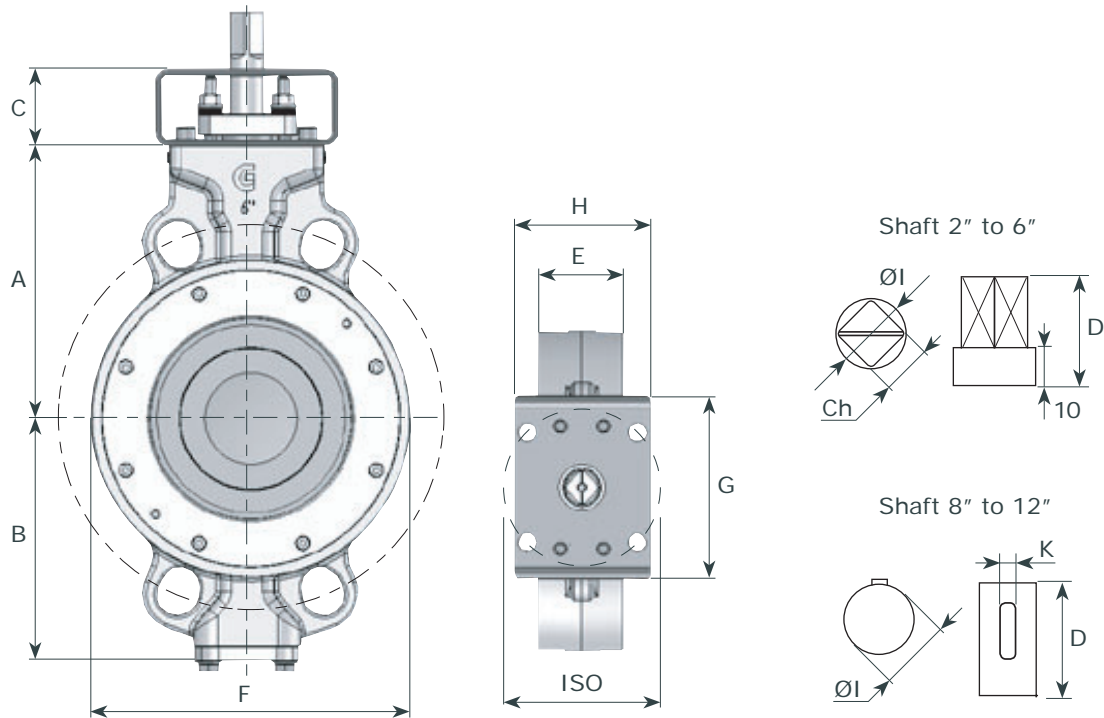
Weight

Size	2"	2½"	3"	4"	5"	6"	8"	10"	12"
Kg	4.1	4.6	5.4	8.7	11.1	17.0	26.2	43.5	58.5

Continues on Page 2

High Performance Butterfly Valve

LV 9558



Dimensions

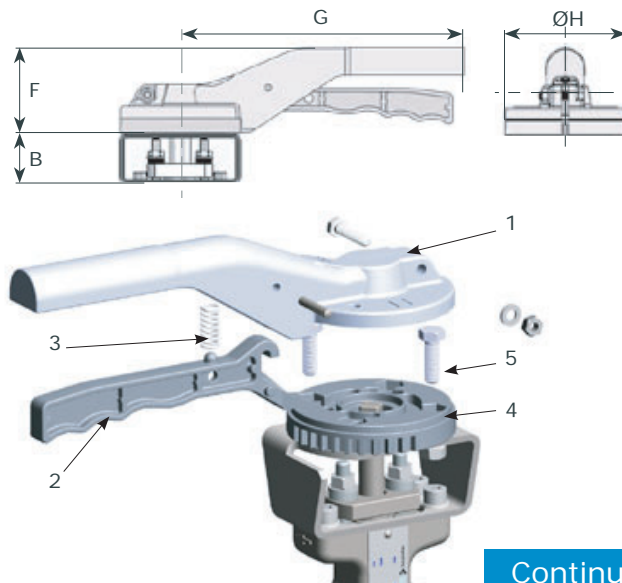
DN	A	B	C	D	E	F	G	H	K	Ch	ØI	ISO
2"	117	81	50	34	43	95	100	70	-	11	14	F05/F07
2½"	120	93	50	34	46	105	100	70	-	11	14	F05/F07
3"	129	101	50	34	46	127	100	70	-	11	14	F05/F07
4"	160	128	50	34	52	150	100	70	-	14	18	F05/F07
5"	170	159	50	38	56	174	120	90	-	17	22	F07/F10
6"	179	168	50	38	56	210	120	90	-	17	22	F07/F10
8"	218	207	60	40	61	270	120	90	8	-	25	F07/F10
10"	257	232	80	60	69	325	160	130	10	-	30	F12
12"	300	270	80	60	78	378	160	130	10	-	35	F12

Handle Dimensions

DN	B	F	G	ØH
2"	50	67	220	93
2½"	50	67	220	93
3"	50	67	220	93
4"	50	67	275	93
5"	50	76	340	125

Handle Materials

1. Lever	Aluminium
2. Trigger	Aluminium
3. Spring	Stainless Steel
4. Disc Positioning	Aluminium
5. Screws	Stainless Steel

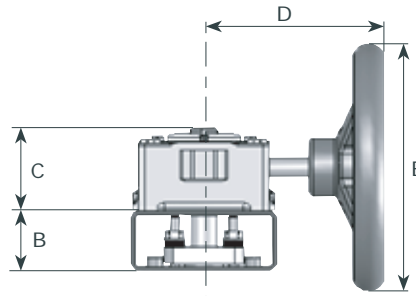


Continues on Page 3

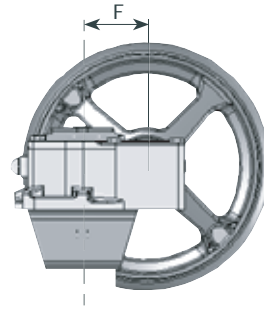
High Performance Butterfly Valve

LV 9558

Gearbox Dimensions					
DN	B	C	D	E	F
6"	50	63	217	200	52
8"	60	63	217	200	52
10"	80	88	282	300	71
12"	80	88	282	300	71



Gearbox Materials	
Body	GGG40 Ductile Iron
Worm Gears	Steel
Sector Gear	Ductile Iron
Shaft	Steel
Handwheel	Steel



Bolt and Rod Dimensions for PN10 Flanges			
Size	Bolt	Rod	Qty
2"	M16 x 110	M16 x 130	4
2½"	M16 x 120	M16 x 130	8
3"	M16 x 120	M16 x 130	8
4"	M16 x 130	M16 x 140	8
5"	M16 x 130	M16 x 150	8
6"	M20 x 140	M20 x 150	8
8"	M20 x 150	M20 x 160	8
10"	M20 x 160	M20 x 180	12
12"	M20 x 170	M20 x 180	12

Bolt and Rod Dimensions for PN16 Flanges			
Size	Bolt	Rod	Qty
2"	M16 x 110	M16 x 130	4
2½"	M16 x 120	M16 x 130	8
3"	M16 x 120	M16 x 130	8
4"	M16 x 130	M16 x 140	8
5"	M16 x 140	M16 x 150	8
6"	M20 x 140	M20 x 150	8
8"	M20 x 150	M20 x 160	12
10"	M24 x 160	M24 x 180	12
12"	M24 x 180	M24 x 200	12

Bolt and Rod Dimensions for PN25 Flanges			
Size	Bolt	Rod	Qty
2"	M16 x 120	M16 x 130	4
2½"	M16 x 120	M16 x 140	8
3"	M16 x 130	M16 x 140	8
4"	M20 x 140	M20 x 150	8
5"	M24 x 150	M24 x 170	8
6"	M24 x 150	M24 x 170	8
8"	M24 x 160	M24 x 180	12
10"	M27 x 180	M27 x 200	12
12"	M27 x 200	M27 x 220	16

Bolt and Rod Dimensions for ANSI 150 Flanges			
Size	Bolt	Rod	Qty
2"	M16 x 120	M16 x 130	4
2½"	M16 x 130	M16 x 140	4
3"	M16 x 130	M16 x 140	4
4"	M16 x 130	M16 x 150	8
5"	M20 x 140	M20 x 160	8
6"	M20 x 140	M20 x 160	8
8"	M20 x 160	M20 x 170	8
10"	M22 x 170	M22 x 200	12
12"	M22 x 180	M22 x 200	12