

Ductile Iron Wafer Pattern Butterfly Valve - Low Torque



LV 9506 NBR / LV 9509 EPDM

Lugged **PN10/16**, ISO 5211 for Direct Mount, **Low Torque Design**, Epoxy Coated Ductile Iron Body, 316 Stainless Steel Disc, Complies with 97/23/CE (PED) Directive CE 1115, ATEX Approved.

LV 9506 = NBR Liner **LV 9509** = EPDM Liner

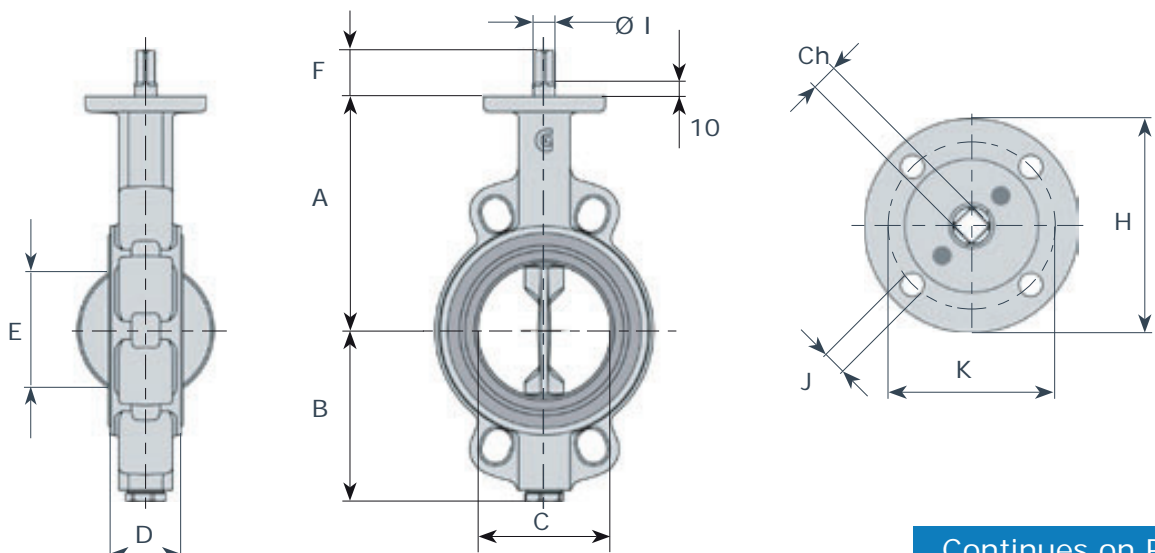
Pressure / Temperature Specifications	
Pressure	PN10
NBR Temperature	-10°C to 100°C
EPDM Temperature	-10°C to 130°C

Material Specifications	
1. Body	Epoxy Coated GS400 Ductile Iron
2. Disc	316 Stainless Steel
3. Liner	NBR or EPDM
4. Upper Shaft	430 Stainless Steel
5. Lower Shaft	430 Stainless Steel
6. Bush	Bronze
7. Shaft Packing	NBR
8. Plug Packing	Aluminium
9. Threaded Plug	Zinc Plated Steel
10. Stop Ring	Steel
11. Upper Flange	IXEF Polyarylamide*
12. Screw	Zinc Plated Steel



*Aluminium on DN200 8"

Dimensions													
DN	A	B	C	D	E	F	ØI	Ch	H	K	J	ISO	Kg
2"	138	81	55	43	35	34	14	11	90	70	9	F07	2.8
2½"	144	98	68	46	50	34	14	11	90	70	9	F07	3.7
3"	158	110	81	46	67	34	14	11	90	70	9	F07	4.0
4"	173	128	101	52	87	34	16	11	90	70	9	F07	6.0
5"	186	140	126	56	113	34	18	14	90	70	9	F07	7.2
6"	202	155	150	56	140	34	18	14	90	70	9	F07	9.1
8"	240	190	200	60	191	38	22	17	125	102	11	F10	14.0



Continues on Page 2

Ductile Iron Wafer Pattern Butterfly Valve - Low Torque



LV 9506 NBR / LV 9509 EPDM

Material Specifications

1. Lever	Aluminium
2. Trigger	Aluminium
3. Spring	Stainless Steel
4. Disc Positioner	Aluminium
5. Screws	Stainless Steel

Dimensions

DN	A	B	D	Kg
2"	220	67	93	0.6
2½"	220	67	93	0.6
3"	220	67	93	0.6
4"	220	67	93	0.6
5"	275	67	93	0.7
6"	275	67	93	0.7
8"	340	76	125	1.0

Torque Figures at 0, 6 and 10 Bar

DN	0	6	10
2"	11.0	12.0	13.0
2½"	11.0	16.0	16.0
3"	5.0	7.0	11.0
4"	8.0	12.0	24.0
5"	22.0	31.0	40.0
6"	40.0	45.0	49.0
8"	47.0	58.0	90.0

Fluid: Water @ 20°C. Figures without safety.

