

Carbon Steel Ball Valve - Flanged ANSI 300 - ISO Top



LV 8647

ISO 5211 for Direct Mount, Flanged ANSI 300, 2 Piece WCB Carbon Steel Body, Full Bore, CF8 Stainless Steel Ball, 304 Stainless Steel Stem, TFM 1600 Seats, Graphite Packing, Firesafe to API 607 & TA-LUFT Approved.

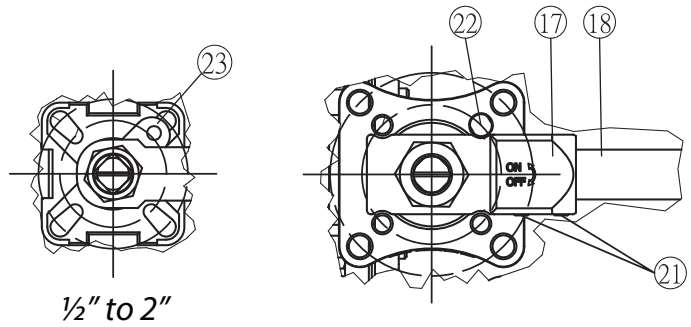
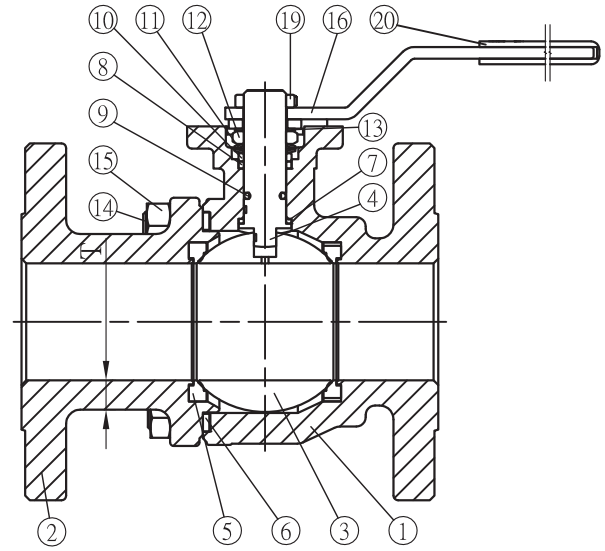


Pressure / Temperature Specifications

Pressure	Class 300
Temperature	-29°C to 180°C

Material Specifications

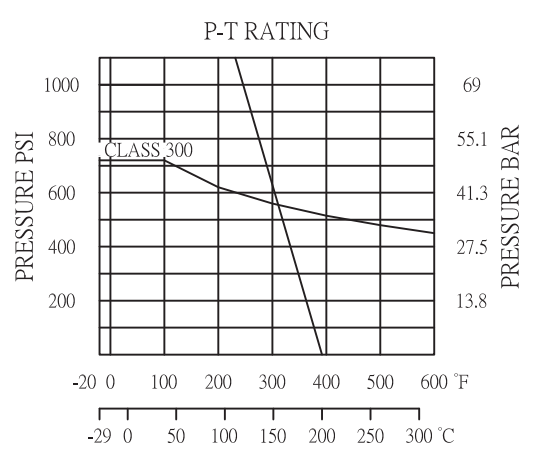
1. Body	WCB Carbon Steel
2. End	WCB Carbon Steel
3. Ball	CF8 Stainless Steel
4. Stem	304 Stainless Steel
5. Seat	TFM 1600
6. Body Seal	Graphite
7. Thrust Washer	TFM 1600
8. Stem Seal	Graphite
9. O-ring	Viton
10. Gland Ring	304 Stainless Steel
11. Disc Spring	301 Stainless Steel
12. Stem Nut	304 Stainless Steel
13. Lock Washer	304 Stainless Steel
14. Body Bolt	304 Stainless Steel
15. Body Nut	304 Stainless Steel
16. Handle	304 Stainless Steel
17. Handle Adaptor	CF8 Stainless Steel
18. Handle Bar	304 Stainless Steel
19. Handle Nut	304 Stainless Steel
20. Handle Sleeve	Plastic
21. Set Screw	304 Stainless Steel
22. Stop Pin	304 Stainless Steel
23. Stopper	304 Stainless Steel



1/2" to 2"

2" to 4"

Pressure / Temperature Chart

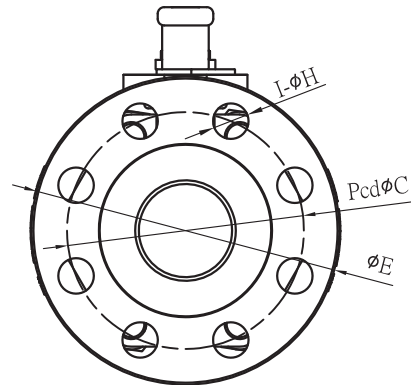
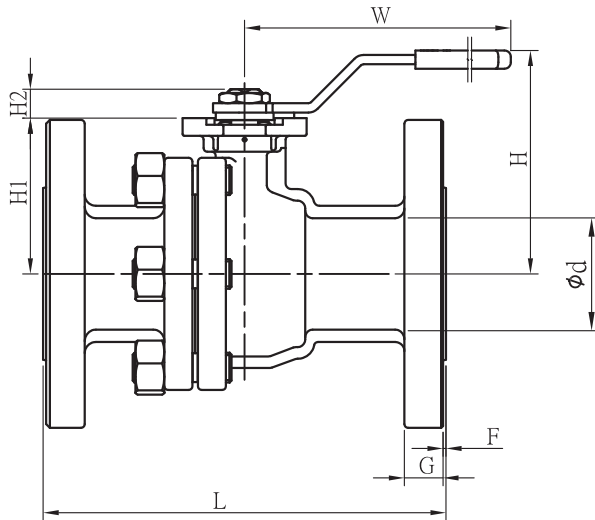


Continues on Page 2

Carbon Steel Ball Valve - Flanged ANSI 300 - ISO Top



LV 8647



1/2" to 2"

2" to 4"

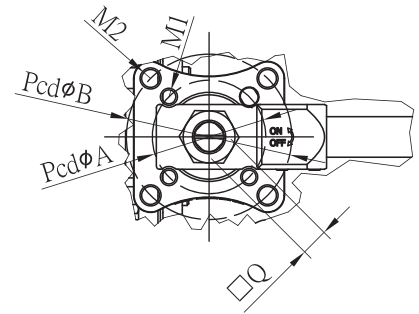
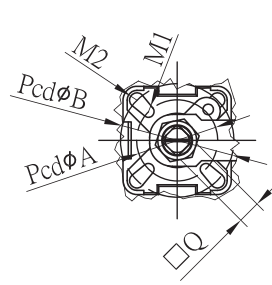
Anti-static Device



1/2" & 3/4"



1" to 4"



Dimensions												
Size	Ød	ØC	ØE	F	G	I x H	L	W	H	H1	H2	Kg
1/2"	15	66.7	95	1.6	12.7	4 x 16	140	165	90	47.5	10	2.2
3/4"	20	82.5	117	1.6	14.3	4 x 19	152	165	103	58.5	10	3.6
1"	25	89	125	1.6	15.9	4 x 19	165	165	101	62.5	10	4.3
1 1/2"	40	114.5	156	1.6	19.1	4 x 22	190	205	111	78	14	8.5
2"	50	127	165.1	1.6	20.7	8 x 19	216	205	118	83.5	15.5	11.9
3"	80	168	210	1.6	27	8 x 22.5	282	280	163	129.5	18.5	27.2
4"	100	200	254	1.6	30.2	8 x 22.5	305	380	178	145	18.5	41.7

ISO Dimensions					
Size	ØA	ØB	M1	M2	□Q
1/2"	42	-	Ø6	-	9
3/4"	42	50	R3.0	R3.5	9
1"	42	50	R3.0	R3.5	11
1 1/2"	50	70	R3.5	R4.5	14
2"	50	70	R3.5	R4.5	14
3"	70	102	M10	Ø11	17
4"	70	102	M10	Ø11	17

Torque (Nm)	
Size	Nm
1/2"	6.0
3/4"	10.0
1"	12.5
1 1/2"	25.0
2"	30.0
3"	70.0
4"	100.0