

Carbon Steel Ball Valve - Wafer to suit PN16

LV 8411

Wafer to suit PN16, Full Bore, Carbon Steel Body, 304 Stainless Steel Ball, 316 Stainless Steel Stem, PTFE Seats & Seals



Pressure / Temperature Specifications

Pressure	PN16
Temperature	-25°C to 150°C

Material Specifications

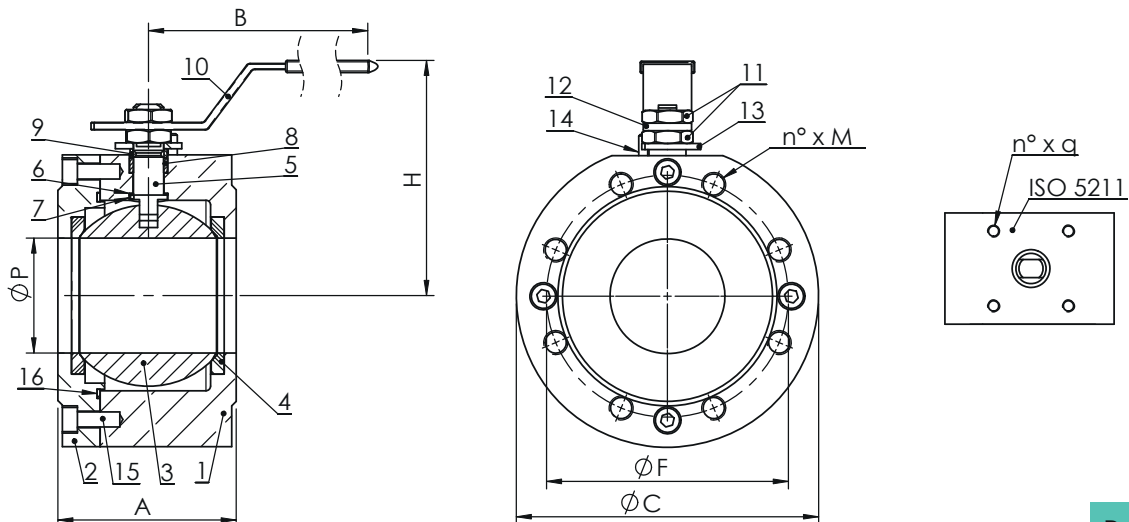
1. Body	ASTM A105 Carbon Steel
2. Flanges	ASTM A105 Carbon Steel
3. Ball	304 Stainless Steel
4. Ball Seat	PTFE
5. Stem	316 Stainless Steel
6. Sliding Washer	PTFE
7. Anti-static Device	316 Stainless Steel
8. Stem Packing	Reinforced PTFE
9. Pressing Bush	304 Stainless Steel
10. Lever	Galvanized Steel with Plastic Cover
11. Nut	Galvanized Steel
12. Spring Washer	Galvanized Steel
13. Stop Plate	Galvanized Steel
14. Stop Pin	Galvanized Steel
15. Screws	Galvanized Steel
16. Body Seal	Reinforced PTFE

Torque Figures (Nm)

Size	Nm
1"	20.0
1¼"	28.0
1½"	30.0
2"	40.0
2½"	80.0
3"	110.0
4"	180.0

Dimensions

Size	P	A	H	B	C	F	n x M	ISO	n x q	Kv	Kg
1"	25	46	91	185	108	85	4 x M12 F04	4 x M5	83.5	3.0	
1¼"	32	55	106	270	128	100	4 x M16 F05	4 x M6	150.4	5.0	
1½"	40	66	111	270	138	110	4 x M16 F05	4 x M6	255.0	6.5	
2"	50	72	120	270	148	125	4 x M16 F05	4 x M6	435.0	8.0	
2½"	65	98	157	355	168	145	4 x M16 F07	4 x M8	672.0	14.0	
3"	76	120	161	355	188	160	8 x M16 F07	4 x M8	947.0	21.0	
4"	100	140	181	460	220	180	8 x M16 F07	4 x M8	1,508.0	31.0	



Carbon Steel Ball Valve - Wafer to suit PN16

LV 8411

