

Forged Steel Gate Valve - Flanged ANSI 150

LV 7740

Flanged ANSI 150, A105N Forged Steel Body & Bonnet, Outside Screw & Yoke,
Solid Wedge, Rising Stem, Handwheel Operated, Designed to API 602

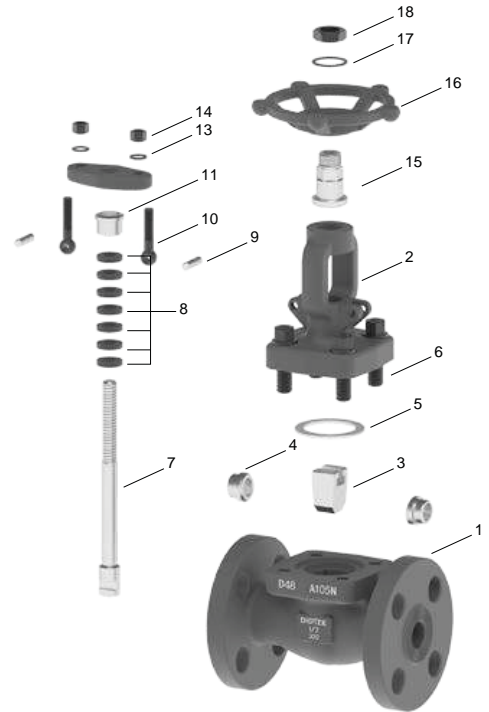


Pressure / Temperature Specifications

Pressure	ASME Class 150
Temperature	-38°C to 538°C

Material Specifications

1. Body	ASTM A105 Forged Carbon Steel
2. Bonnet	ASTM A105 Forged Carbon Steel
3. Disc	ASTM A182 Forged Stainless Steel
4. Seat	ASTM A182 Forged Stainless Steel
5. Gasket	Spiral Wound Stainless Steel + Graphite
6. Bolt	A193 B7 Steel
7. Stem	ASTM A182 Forged Stainless Steel
8. Stem Packing	Braided Graphite
9. Gland Eyebolt Pin	A29 1035 Carbon Steel
10. Bolt	A193 B7 Steel
11. Packing Bush	13Cr
12. Gland Flange	ASTM A105 Forged Carbon Steel
13. Washer	A29 1035 Carbon Steel
14. Nut	A194 2H Carbon Steel
15. Stem Nut	A276 410 Stainless Steel
16. Handwheel	Ductile Iron
17. Washer	A29 1035 Carbon Steel
18. Handwheel Lock Nut	A29 1035 Carbon Steel



Dimensions

DN	L	d	D	D1	D2	b	n x Ød	H	W	Kg
½"	108	15	90	60.5	35	11.5	4 x 16	169	100	5.0
¾"	117	20	100	70	43	13	4 x 16	193	125	6.1
1"	127	25	110	79.5	51	14.5	4 x 16	230	160	8.4
1½"	165	40	125	98.5	73	17.5	4 x 16	283	180	15.4

