

Forged Steel Check Valve

Designed to API 602, 13% CR + HFS No. 8 Trim, Tested to API 598

LV7730 = NPT

LV7731 = BSPT

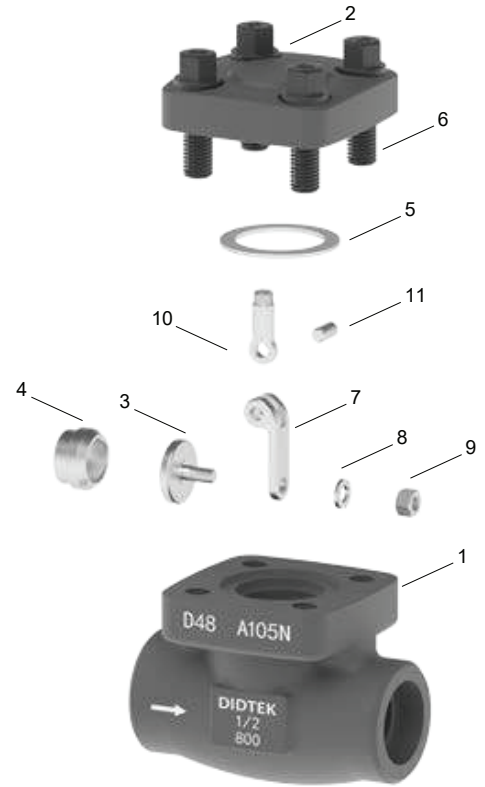
LV7733 = Socket Weld



Pressure / Temperature Specifications	
Pressure	ASME Class 800
Temperature	-29°C to 538°C

Pressure / Temperature Table	
Temperature (°C)	Pressure (Bar)
-29 to 38	136.2
50	133.7
100	124.3
150	120.2
200	116.8
250	106.2
325	103.2
350	100.2
375	97.0
400	92.6
425	76.7
450	61.3
475	46.5
500	31.4
538	15.7

Material Specifications	
1. Body	ASTM A105 Forged Carbon Steel
2. Bonnet	ASTM A105 Forged Carbon Steel
3. Disc	ASTM A182 Forged Stainless Steel
4. Seat	ASTM A182 Forged Stainless Steel
5. Gasket	Spiral Wound Stainless Steel + Graphite
6. Bolt	A193 B7 Steel
7. Hinge	13Cr
8. Washer	A29 1035 Carbon Steel
9. Nut	A194 2H Carbon Steel
10. Yoke	ASTM A105 Forged Carbon Steel
11. Pin	13Cr

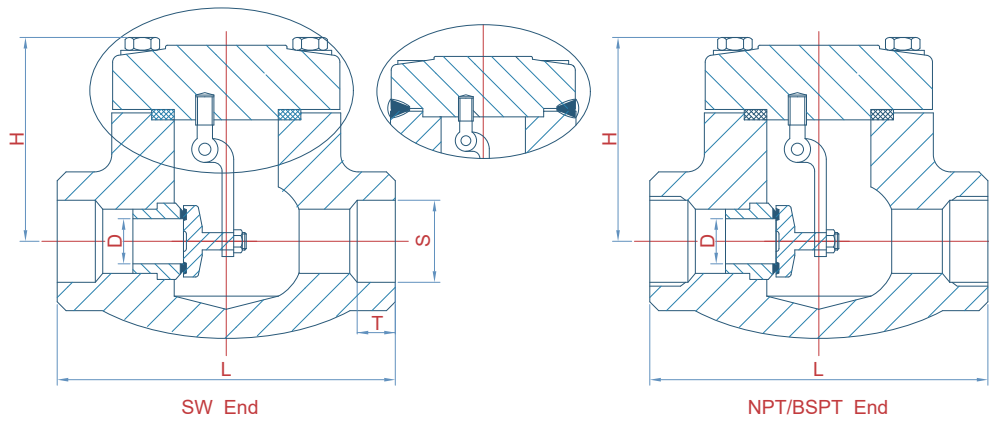


Continues on Page 2

LV 7730 NPT / LV 7731 BSPT / LV 7733 Socket Weld

Forged Steel Check Valve

LV 7730 NPT / LV 7731 BSPT / LV 7733 Socket Weld



Dimensions						
DN	L	D	S	T	H	Kg
1/2"	79	10.5	21.8	10	61	1.5
3/4"	92	13.5	27.2	13	61	1.7
1"	111	17.5	33.9	13	78	3.3
1 1/2"	120	29	48.8	13	101	4.2
2"	140	36	61.2	16	120	8.8