

# Brass Ball Valve - BSI Gas Approved - HTB

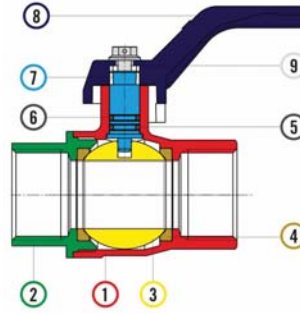


LV 7220

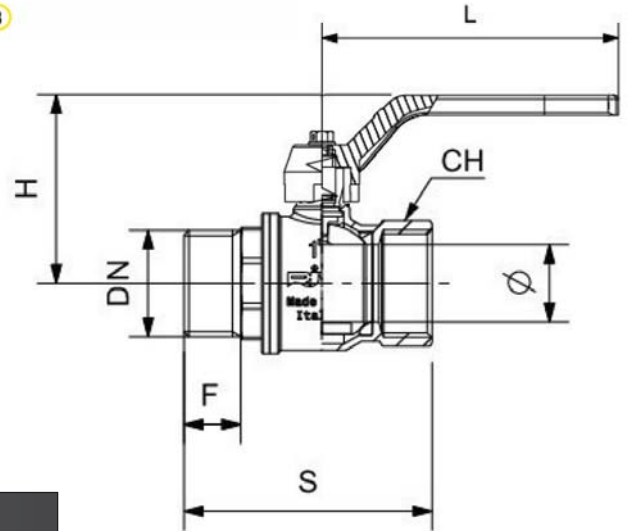
Screwed BSPT Male x BSPP Female, Nickel Plated Body, Full Bore, Yellow Aluminium Lever



Pressure / Temperature Specifications	
Pressure	PN64 ½"
	PN40 ¾" to 2½"
	PN32 3"
	PN25 4"
Gas Temperature	-20°C to 70°C
Liquid Temperature	-20°C to 150°C



Material Specifications		
1.	Body	Nickel Plated Brass CW 617 N
2.	Body End	Nickel Plated Brass CW 617 N
3.	Ball	Chrome Plated Brass CW 617 N
4.	Seat	PTFE
5.	O-ring	FKM
6.	O-ring	NBR
7.	Stem	Brass CW 614 N
8.	Lever	Aluminium
9.	Screw	Zinc Plated Steel



Dimensions							
Size	Ø	H	S	L	F	Kv	Kg
½"	15	55	66	105	16	15.8	0.24
¾"	20	66	76	120	17.5	29.0	0.37
1"	25	70	91	120	21	50.0	0.58
1¼"	32	83	101	135	22.5	82.0	0.91
1½"	40	93	113	160	22.5	184.0	1.2
2"	50	102	134	160	26.5	340.0	1.87
2½"	65	143	164	265	30	580.0	3.79
3"	80	153	187	265	33	940.0	5.39
4"	100	172	221	265	40	1600.0	8.13

