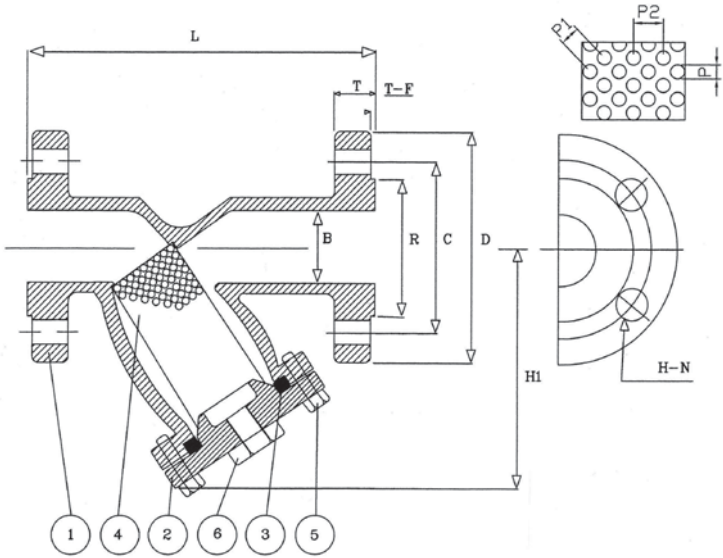


Stainless Steel Y-Type Strainer - Flanged ANSI 150

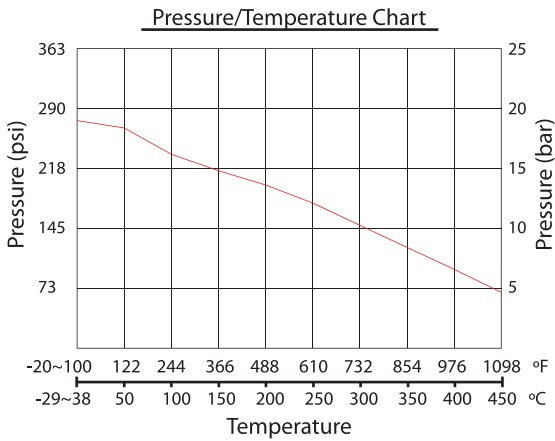
Flanged ANSI 150, Stainless Steel Body, Cover & Screen



Pressure/Temperature Ratings

Pressure	CL 150 Rated
Temperature	-20°C to 450°C

Body Pressure Temperature Ratings



Dimensions

Size	L	D	C	B	T	R	F	H	N	H1	Kg	
1"	DN25	160	108	79.5	25	14	51	1	15	4	77	3.40
1½"	DN40	190	127	98.5	40	17	73	2	15	4	115	6.20
2"	DN50	220	152	120.5	50	18	92	2	19	4	128	9.00
2½"	DN65	270	178	139.5	65	21	105	2	19	4	188	14.5
3"	DN80	290	190	152.5	80	23	127	2	19	4	200	18.5
4"	DN100	350	229	190.5	100	23	150	2	19	8	240	27.0
6"	DN150	440	279	241.5	150	25	216	2	22	8	300	50.0

Screen Specification

Nominal Size	Perforation	Pitch Holes		Screen Thickness
	P	P1	P2	
1"	1.5	2.5	4	0.4
1½"~6"	2.0	3.8	7	0.5

Material List

1	Body	A351-CF8M
2	Cover	A351-CF8M
3	Gasket	PTFE
4	Screen	SUS316
5	Gland Bolt	SUS304
6	Drain Plug	SUS316

Strainer Sizes Drain Plug Thread Specification

1½"~6"	½ BSPT
--------	--------