

# Stainless Steel Swing Check Valve - Flanged PN16

LV 6860

Flanged PN16, CF8M Stainless Steel Body, Cover & Disc

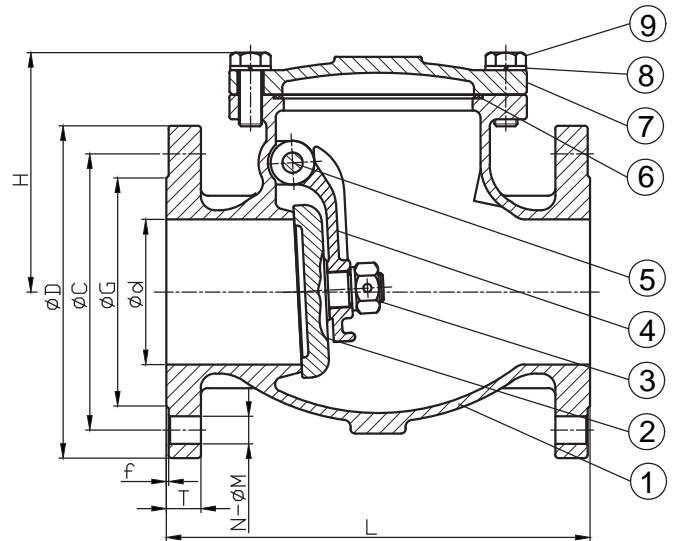


### Pressure / Temperature Specifications

Pressure	PN16
Temperature	-20°C to 180°C

### Material Specifications

1. Body	CF8M Stainless Steel
2. Disc	CF8M Stainless Steel
3. Nut	AISI 316 Stainless Steel
4. Arm Hinge	CF8M Stainless Steel
5. Hing Pin	AISI 316 Stainless Steel
6. Gasket	PTFE
7. Cap	CF8M Stainless Steel
8. Spring Washers	AISI 304 Stainless Steel
9. Bolt	AISI 304 Stainless Steel
10. Bolt	AISI 304 Stainless Steel
11. Bolt	AISI 304 Stainless Steel
12. Disc Cap	CF8M Stainless Steel



### Valve Dimensions

Size	d	L	H	D	C	G	f	T	Kg
1"	25	135	64	115	85	68	2	16	3.1
1½"	40	165	75	150	110	88	3	16	6.1
2"	50	203	97	165	125	102	3	18	8.5
2½"	65	216	111	185	145	122	3	18	12.2
3"	80	241	120	200	160	138	3	20	16.8
4"	100	292	162	220	180	158	3	20	25.8
6"	150	356	203	285	240	212	3	22	50.0

