

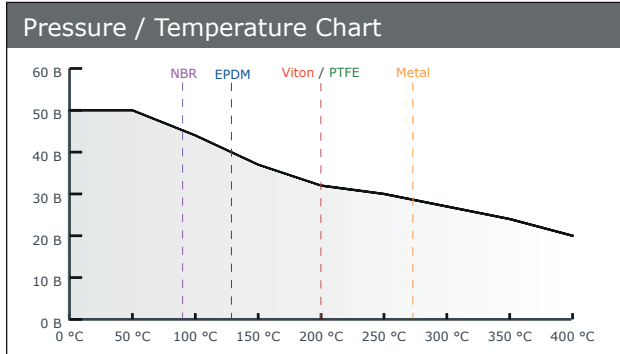
Stainless Steel Spring Check Valve - Wafer Pattern

LV 6830

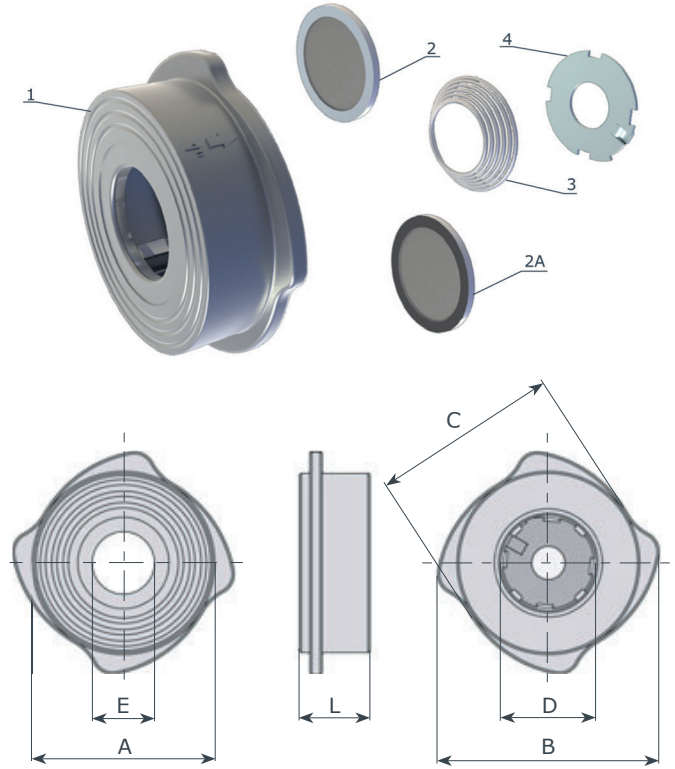
To Fit PN6/10/16/25/40 ANSI 150 & ANSI 300 ½" to 3", PN10/16/25/40 ANSI 150 & ANSI 300 4", CF8M Stainless Steel Body, Disc & Spring



Pressure / Temperature Specifications	
Pressure	PN52
Metal Temperature	0°C to 270°C
EPDM Temperature	0°C to 130°C
NBR Temperature	0°C to 95°C
Viton Temperature	0°C to 200°C
PTFE Temperature	0°C to 200°C



Material Specifications	
1. Body	AISI 316 Stainless Steel
2. Disc	AISI 316L Stainless Steel
2A. Disc & Seat	AISI 316L Stainless Steel + EPDM/NBR/Viton/PTFE
3. Spring	AISI 316 Stainless Steel
4. Stop Ring	AISI 316L



Dimensions							
DN	A	B	C	D	E	L	Kg
½"	43	54	45	23	14	17	0.11
¾"	48	64	54	28	19	20	0.18
1"	58	71	63	36	25	22	0.26
1¼"	68	81	72	50	31	28	0.4
1½"	75	93	82	58	38	32	0.55
2"	94	110	95	71	48	40	1.0
2½"	113	130	115	86	62	46	1.5
3"	129	149	131	105	77	50	2.0
4"	159	181	160	130	95	60	3.2

Minimum Opening Pressure (mBar)				
DN	↑	→	↓	↑ (no spring)
½"	25	23	21	0
¾"	25	23	21	0
1"	25	23	21	0
1¼"	27	25	22	0
1½"	28	23	18	0
2"	30	24	18	0
2½"	30	24	18	0
3"	25	19	13	0
4"	21	15	9	0

