

Stainless Steel 3 Way Ball Valve - PN16 - ISO Top

ISO 5211 for Direct Mount, Flanged PN16, Full Bore, Stainless Steel Body, Ball & Stem, RPTFE Seats & Seals



LV 6503 T Port & LV 6513 L Port

Pressure / Temperature Specifications

Pressure	PN16
Temperature	0°C to 180°C

Material Specifications 1/2" to 1"

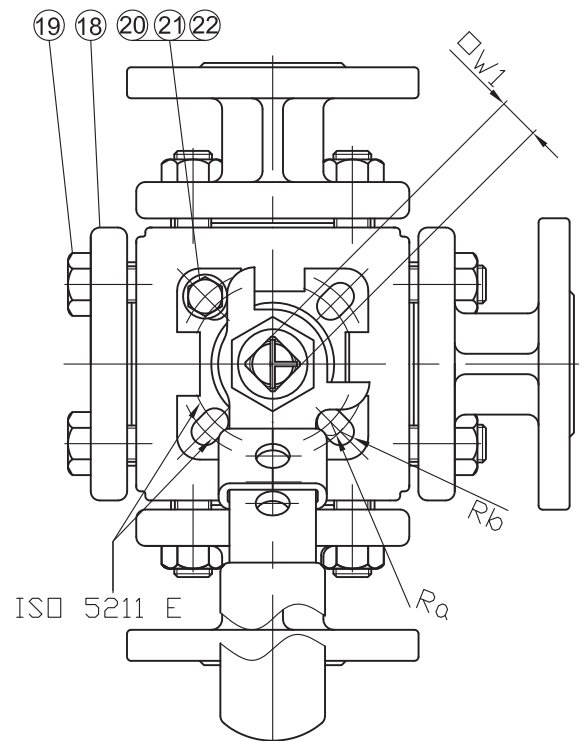
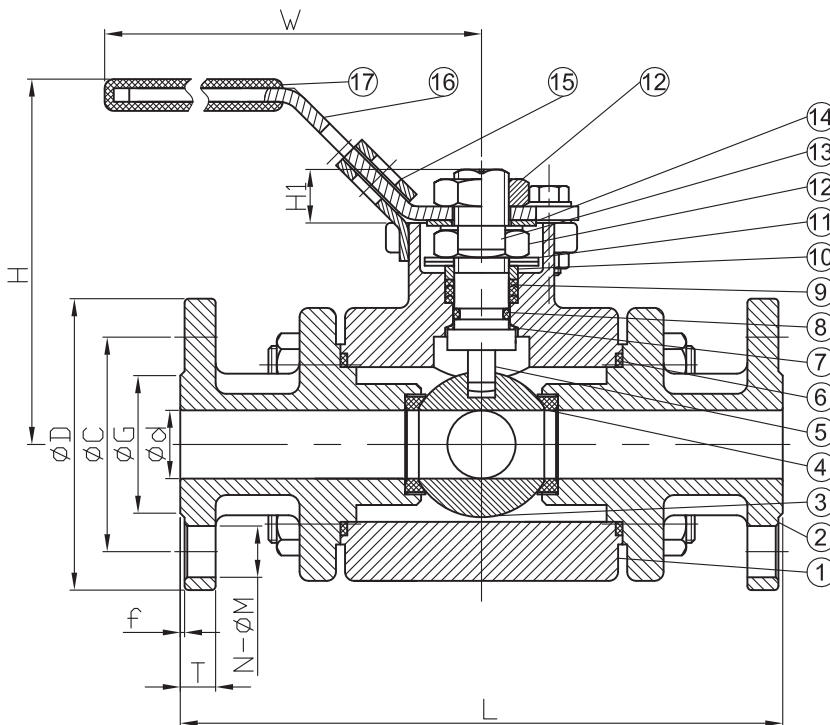
1. Body	316 Stainless Steel
2. Cap	316 Stainless Steel
3. Ball	304 Stainless Steel
4. Seat	RPTFE
5. Stem	304 Stainless Steel
6. Gasket	PTFE
7. Thrust Washer	RPTFE
8. O-ring	Viton
9. Packing	PTFE
10. Gland	304 Stainless Steel
11. Spring Washer	301 Stainless Steel
12. Stem Nut	304 Stainless Steel
13. Belleville Washer	304 Stainless Steel
14. Handle Washer	304 Stainless Steel
15. Locking Device	304 Stainless Steel
16. Handle	304 Stainless Steel
17. Handle Cover	Plastic
18. Cap A	316 Stainless Steel
19. Bolt	304 Stainless Steel
20. Stop Pin	304 Stainless Steel
21. Bolt	304 Stainless Steel
22. Nut	304 Stainless Steel

Dimensions 1/2" to 1"

DN	1/2"	3/4"	1"
d	15	20	25
D	95	105	115
C	65	75	85
G	45	58	68
T	16	18	18
f	2	2	2
N	4	4	4
M	14	14	14
L	160	165	180
H	80	84	96
W	123	123	153
ISO	F03-04	F03-04	F04-05
E	36-42	36-42	42-50
H1	9	9	11
W1	9	9	11
Ra	R3	R3	R3
Rb	R3	R3	R3.5
(L) Kg	4.7	6.2	9.4
(T) Kg	4.6	6.2	9.3

Torque (Nm)

Size	NM
1/2"	37.0
3/4"	37.0
1"	55.0
1 1/2"	80.0
2"	110.0
2 1/2"	170.0
3"	210.0
4"	270.0
6"	400.0



Larger Sizes on Next Page

Stainless Steel 3 Way Ball Valve - PN16 - ISO Top

LV 6503 T Port & LV 6513 L Port

Material Specifications 1¼" to 6"

1. Body	316 Stainless Steel
2. Cap	316 Stainless Steel
3. Ball/Stem	304 Stainless Steel
4. Seat	RPTFE
5. Gasket	PTFE
6. O-ring	Viton
7. Gasket	PTFE
8. Packing	PTFE
9. Gland	304 Stainless Steel
10. Spring Washer	301 Stainless Steel
11. Cap C	316 Stainless Steel
12. Handle Head	304 Stainless Steel
13. Handle Cover	Plastic
14. Handle Pole	Galvanized Steel
15. Handle Bolt	304 Stainless Steel
16. Sleeve	PTFE
17. Cap B Bolt	304 Stainless Steel
18. Cap B	316 Stainless Steel
19. Bolt	304 Stainless Steel
20. Stop Pin	304 Stainless Steel
21. Cap A Bolt	304 Stainless Steel
22. Cap A	316 Stainless Steel

Dimensions 1¼" to 6"

DN	1¼"	1½"	2"	2½"	3"	4"	6"
d	32	40	50	65	76	96	148
D	140	150	165	185	200	220	285
G	78	88	102	122	138	158	212
T	18	18	20	18	20	20	22
f	3	3	3	3	3	3	3
N	4	4	4	4	8	8	8
M	18	18	18	18	18	18	22
L	234	234	273	300	305	369	480
H	171	171	176	208	216	236	329
W	403	403	403	504	504	504	800
ISO	F07	F07	F07	F10	F10	F10	F14
E	70	70	70	102	102	102	140
H1	19	19	19	24	24	24	38
W1	17	17	17	22	22	22	36
Ø Ma	10	10	10	12	12	12	18
(L) Kg	15.1	16.9	20.1	28.2	36.2	63.3	148.9
(T) Kg	14.4	16.5	19.9	27.5	35.4	59.2	144.9

