

Stainless Steel Ball Valve - Flanged ANSI 150



LV 6370

Flanged ANSI 150, Full Bore, CF8M Stainless Steel Body, Ball & Stem, PTFE Seats & Seals, Anti-blowout Stem, Anti-static Device, Firesafe Design, ATEX Approved

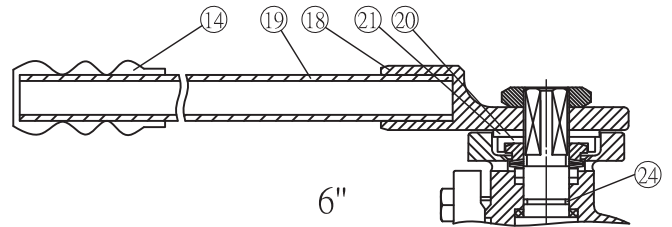
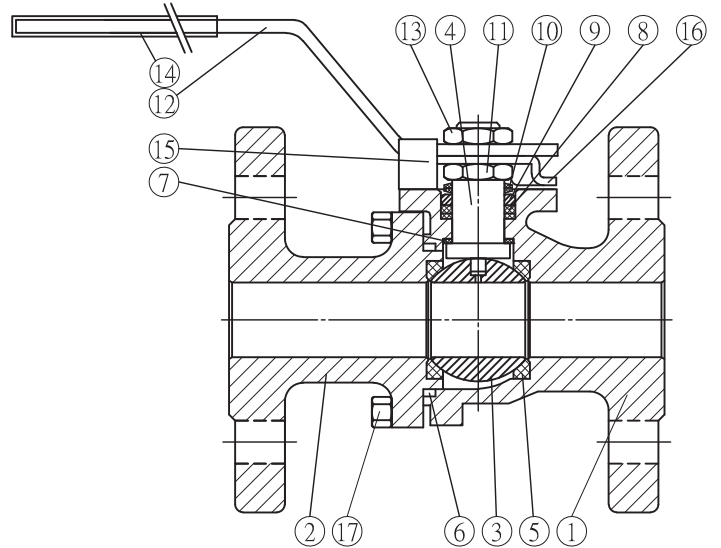


Pressure / Temperature Specifications

Pressure	CL150
Temperature	-10°C to 180°C

Material Specifications

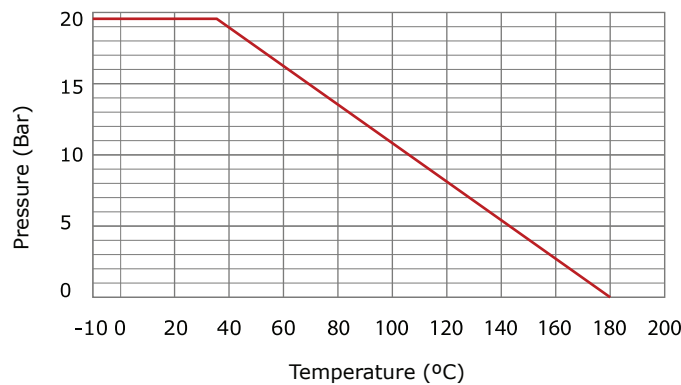
1. Body	CF8M Stainless Steel
2. End Cap	CF8M Stainless Steel
3. Ball	CF8M Stainless Steel
4. Stem	316 Stainless Steel
5. Seat	PTFE
6. Body Seal	PTFE
7. Thrust Washer	PTFE
8. Stem Seal	PTFE
9. Gland Ring	304 Stainless Steel
10. Disc Spring	301 Stainless Steel
11. Stem Nut	304 Stainless Steel
12. Handle	400 Series Stainless Steel
13. Handle Nut	304 Stainless Steel
14. Handle Sleeve	Plastic
15. Stop Pin	304 Stainless Steel
16. Stopper	304 Stainless Steel
17. Body Bolt	304 Stainless Steel
18. Adapter	304 Stainless Steel
19. Handle	CF8 Stainless Steel
20. Lock Washer	304 Stainless Steel
21. Spacer	304 Stainless Steel
22. Set Screw	304 Stainless Steel
23. Nut	304 Stainless Steel
24. O-ring	FKM



Torque Figures

Size	Nm
1/2"	5.5
3/4"	8.0
1"	11.0
1 1/4"	15.0
1 1/2"	20.0
2"	29.0
2 1/2"	50.0
3"	77.0
4"	110.0
6"	180.0

Pressure / Temperature Chart

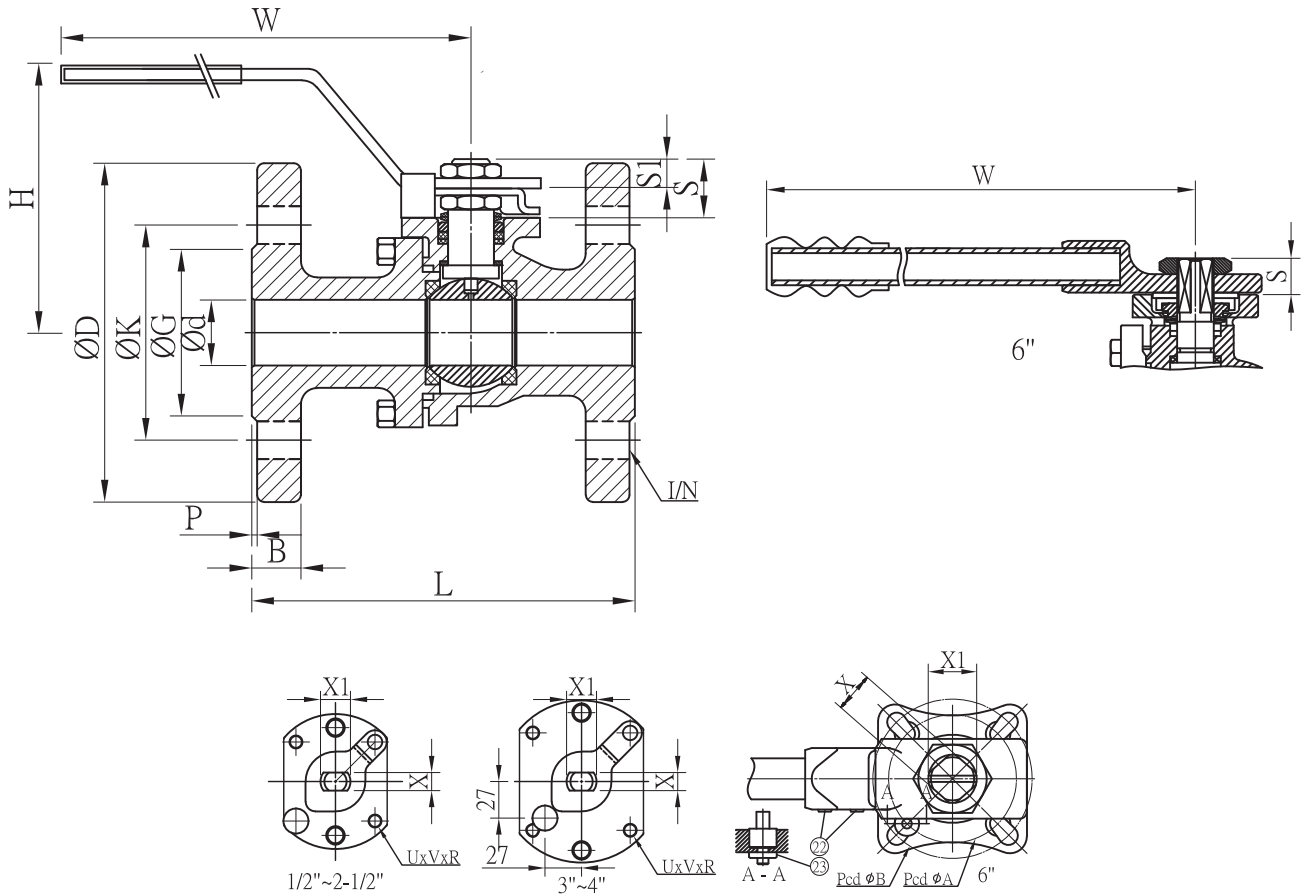


Continues on Page 2

Stainless Steel Ball Valve - Flanged ANSI 150



LV 6370



Dimensions

Size	Ød	L	ØD	ØK	ØG	B	I/N	P	S	S1	H	W	Kg
1/2"	15	108	89	60.5	35	11.2	4 x 16	2.0	19.8	6.3	94	138	2.2
3/4"	20	117	98	70	43	12.7	4 x 16	2.0	21	7.5	97	138	2.6
1"	25	127	108	79.5	51	14.3	4 x 16	2.0	24.3	9.1	115	178	3.65
1 1/2"	38	165	127	98.5	73	17.5	4 x 16	3.0	36	17.5	141	195	6.85
2"	50	178	152	120.5	92	19.1	4 x 19	3.0	37.2	18.7	149	195	9.65
3"	80	203	190	152.5	127	23.9	4 x 19	3.0	47	26.1	172	328	19.6
4"	100	229	229	190.5	157	23.9	8 x 19	3.0	44.3	23.4	187	328	27.3
6"	150	394	279	241.5	216	25.4	8 x 22	3.0	30	-	215	525	53.0

Dimensions

Size	U x V x R	X	X1
1/2"	4-42 x M5 x P0.8	8.6	M14 x 2.0
3/4"	4-42 x M5 x P0.8	8.6	M14 x 2.0
1"	4-50 x M6 x P1.0	10	M16 x 2.0
1 1/2"	4-70 x M8 x P1.25	12	M20 x 2.5
2"	4-70 x M8 x P1.25	12	M20 x 2.5
3"	4-102 x M10 x P1.5	16	M27 x 3.0
4"	4-102 x M10 x P1.5	16	M27 x 3.0
6"	ØA 102 / ØB 125	27	M32 x 2.0