

Stainless Steel Ball Valve - Two Piece - ISO Top



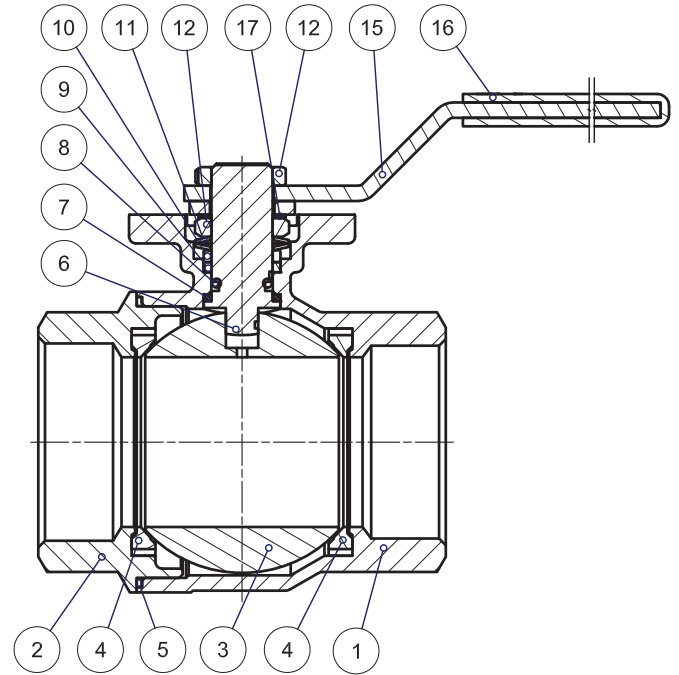
LV 6230

ISO 5211 for Direct Mount, Screwed BSPP, Full Bore, CF8M Stainless Steel Body, Ball & Stem, PTFE Seats & Seals, Locking Lever, Anti-static Device.



Pressure / Temperature Specifications	
Pressure	PN63
Temperature	-10°C to 180°C

Material Specifications		
1	Body	CF8M Stainless Steel
2	Cap	CF8M Stainless Steel
3	Ball	CF8M Stainless Steel
4	Seat	PTFE
5	Joint Gasket	PTFE
6	Stem	AISI 316 Stainless Steel
7	Thrust Washer	PTFE
8	O-ring	Viton
9	Stem Packing	PTFE
10	Stem O-ring	AISI 304 Stainless Steel
11	Washer	AISI 304 Stainless Steel
12	Stem Nut	AISI 304 Stainless Steel
13	Stopper	AISI 304 Stainless Steel
14	Stopper Pin	AISI 304 Stainless Steel
15	Handle	AISI 430 Stainless Steel
16	Handle Cover	Plastic
17	Lock Washer	AISI 304 Stainless Steel



Dimensions													
Size	Ød	ØA	ØB	M1	M2	□Q	L	S	S1	W	CV	Nm	Kg
1/4"	11	36	-	6	-	9	49.6	36	10	110	6.4	4.5	0.31
3/8"	12.7	36	-	6	-	9	49.6	36	10	110	7.9	4.5	0.31
1/2"	15	42	-	7	-	9	55	38	10	110	11.2	5.5	0.34
3/4"	20	42	50	R3	R3.5	11	75.5	41.7	12	136	21	9.0	0.62
1"	25	42	50	R3	R3.5	11	82.5	44.4	12	136	35	11.0	0.78
1 1/4"	32	50	70	R3.5	R4.5	14	90.8	54	16.5	158	57	15.5	1.35
1 1/2"	40	50	70	R3.5	R4.5	14	103	59.5	16.5	203	85	22.0	1.91
2"	50	50	70	R3.5	R4.5	14	120	67	16.5	203	148	33.0	2.8
2 1/2"	65	70	102	9	11	17	155	101.5	24.5	322.5	265	40.0	6.98
3"	80	70	102	9	11	17	182	112.5	24.5	322.5	415	66.0	10.3

