

Stainless Steel Ball Valve - Vented

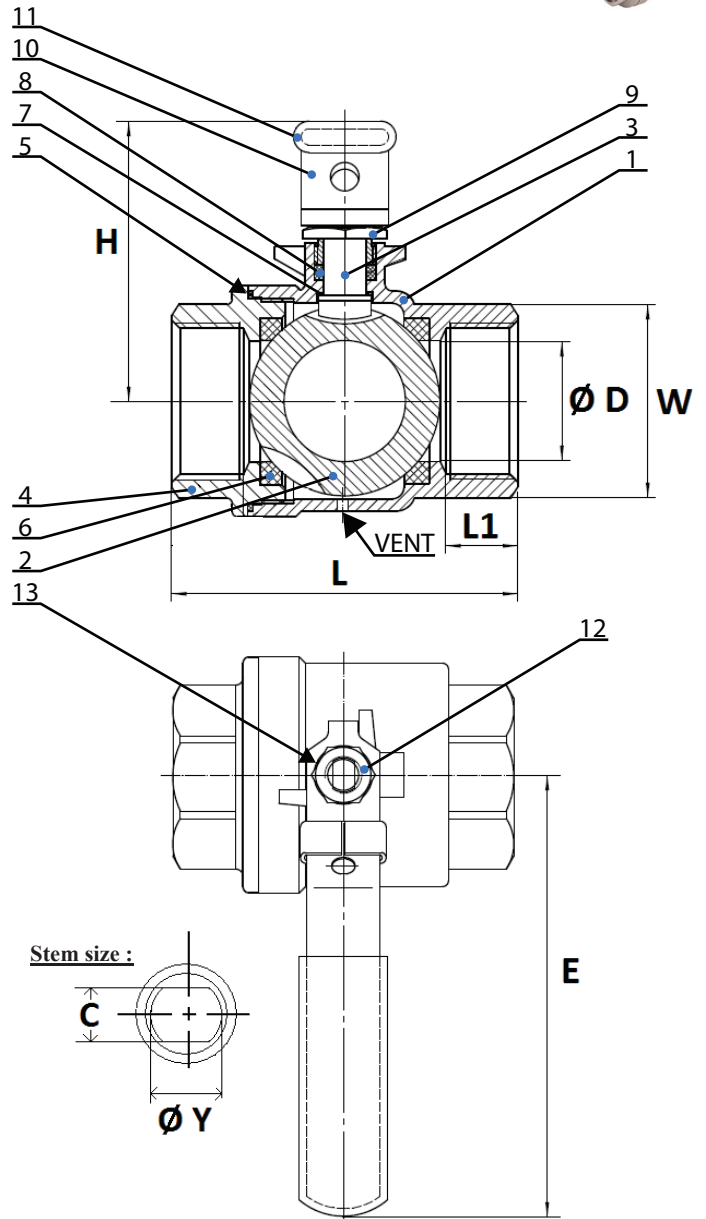
LV 6217

Screwed BSPP, Full Bore, CF8M Stainless Steel Body, 316 Stainless Steel Ball & Stem, PTFE Seats & Seals, Anti-blowout Stem, Lockable Handle



Pressure / Temperature Specifications	
Pressure	PN8
Temperature	-20°C to 180°C

Material Specifications		
1	Body	CF8M Stainless Steel
2	Ball	316 Stainless Steel
3	Stem	316 Stainless Steel
4	Ends	CF8M Stainless Steel
5	Body Seal	PTFE
6	Seat	PTFE
7	Stem Gasket	PTFE
8	Packing	PTFE
9	Packing Nut	304 Stainless Steel
10	Handle	304 Stainless Steel
11	Handle Cover	Plastic
12	Handle Nut	304 Stainless Steel
13	Handle Washer	304 Stainless Steel



Dimensions											
Size	ØD	L	E	H	L1	W	C	ØY	Kg	Nm	Kvs
¼"	10.8	51	104	48	11	22	5	8	0.22	3.0	6.6
⅜"	12.5	51	104	48	11	22	5	8	0.21	4.0	7.9
½"	15	57.5	104	46	13	25.5	5	8	0.25	6.0	11.2
¾"	20	65	128	59	14	31	5.8	8	0.38	8.0	21.0
1"	25	78.5	128	63	18	38.5	5.8	8	0.59	10.0	35.0