

# Stainless Steel Ball Valve - 2 Piece - 3000psi



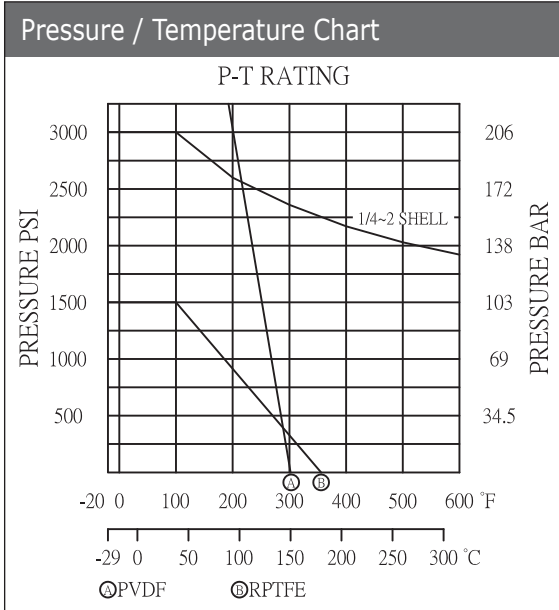
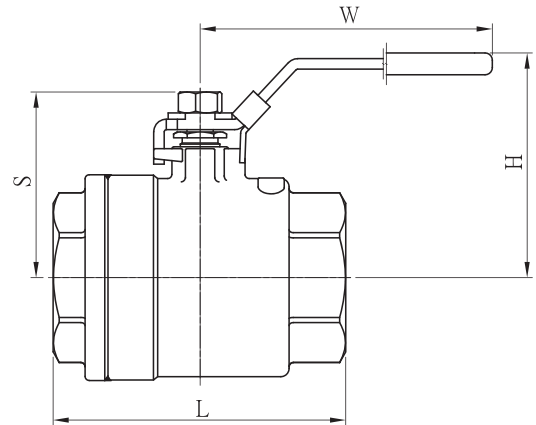
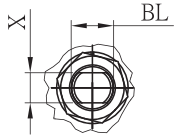
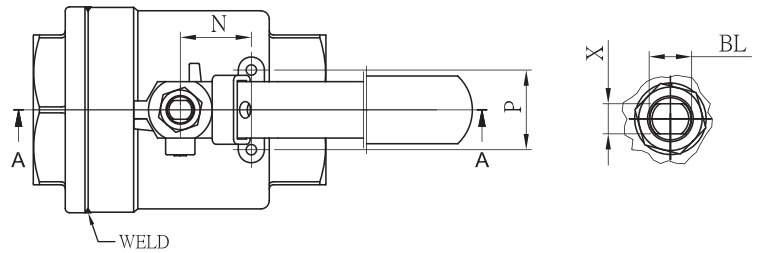
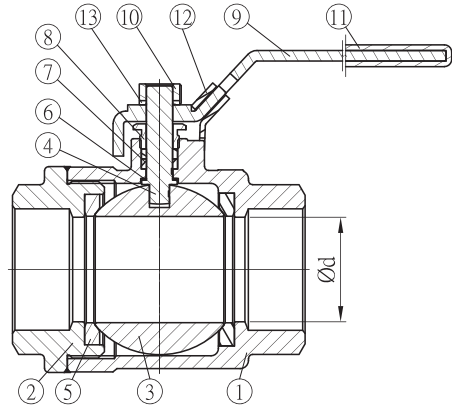
LV 6210

Screwed BSPP, Full Bore, CF8M Stainless Steel Welded Body,  
CF8M Stainless Steel Ball, 316 Stainless Steel Stem, Anti-blowout Stem, Locking Lever



Pressure / Temperature Specifications	
Pressure	3000psi
Temperature	-10°C to 180°C

Material Specifications	
1. Body	CF8M Stainless Steel
2. End	CF8M Stainless Steel
3. Ball	CF8M Stainless Steel
4. Stem	316 Stainless Steel
5. Seat	RPTFE (1/4" to 1") PVDF (1/4" to 2")
6. Thrust Washer	RPTFE
7. Stem Seal	RPTFE
8. Gland Nut	304 Stainless Steel
9. Handle	430 Stainless Steel
10. Handle Nut	304 Stainless Steel
11. Handle Sleeve	Plastic
12. Locking Device	430 Stainless Steel
13. Stem Washer	304 Stainless Steel



Dimensions										
Size	Ød	L	H	W	N	S	P	X	BL	Kg
1/4"	11.6	60.5	53	103	12.5	42.4	28.5	5.0	7.95	0.31
3/8"	12.7	60.5	53	103	12.5	42.4	28.5	5.0	7.95	0.31
1/2"	15	62.5	53	103	12.5	42.4	28.5	5.0	7.95	0.34
3/4"	20	77	65	123	21	52.3	34.8	6.5	9.53	0.62
1"	25.4	90	77	161	22.5	63.1	34.8	8.0	11.1	0.78
1 1/4"	32	103	82	161	23.5	67.7	38.1	8.0	11.1	1.35
1 1/2"	38	120	98.5	253	23.5	78.9	38.1	9.0	12.7	1.91
2"	50.8	140	107.5	253	34	87.7	38.1	9.0	12.7	2.8

Torque (Nm)	
Size	Nm
1/4"	6.0
3/8"	6.0
1/2"	7.0
3/4"	10.0
1"	13.0
1 1/4"	50.0
1 1/2"	68.0
2"	100.0