

Stainless Steel Hygienic Butterfly Valve - RTJ Ends

LV 6174

Male RJT End Connections, 304 Stainless Steel Body, EPDM Seat



Pressure / Temperature Specifications

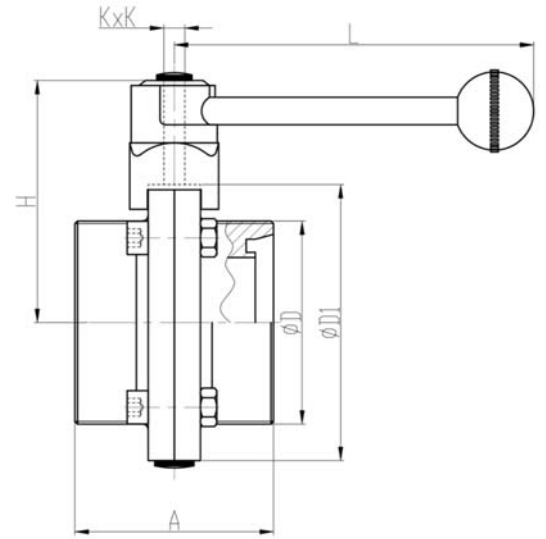
Pressure	PN10
Temperature	-20°C to 140°C

Material Specifications

1. Body	304 Stainless Steel
2. Disc	304 Stainless Steel
3. Stem	304 Stainless Steel
4. Liner	EPDM
5. Handle	304 Stainless Steel
6. Handle Knob	Resin

Dimensions

DN	ØD	ØD1	A	H	L	KxK	Kg
1"	RD 52 x 1/6"	78	66	79	137.5	8x8	1.3
1¼"	RD 58 x 1/6"	86	70	83	137.5	8x8	1.4
1½"	RD 65 x 1/6"	95	74	87.5	137.5	8x8	1.7
2"	RD 78 x 1/6"	108	76	93	137.5	10x10	2.3



Last updated 03/05/2020