

Stainless Steel Hygienic Butterfly Valve - Butt Weld OD

LV 6170

Butt Weld OD End Connections, 304 Stainless Steel Body, EPDM Seat



Pressure / Temperature Specifications

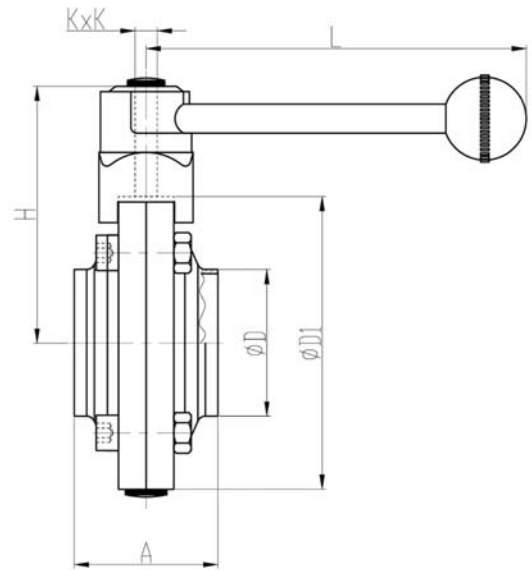
Pressure	PN10
Temperature	-20°C to 140°C

Material Specifications

1. Body	304 Stainless Steel
2. Disc	304 Stainless Steel
3. Stem	304 Stainless Steel
4. Liner	EPDM
5. Handle	304 Stainless Steel
6. Handle Knob	Resin

Dimensions

DN	ØD	ØD1	A	H	L	KxK	Kg
1"	28	78	50	79	137.5	8x8	1.3
1¼"	34	86	50	83	137.5	8x8	1.3
1½"	40	95	50	87.5	137.5	8x8	1.7
2"	52	108	52	93	137.5	10x10	1.9



Last updated 03/05/2020