

Brass Ball Valve with Hose Union - Lockable

LV 5612

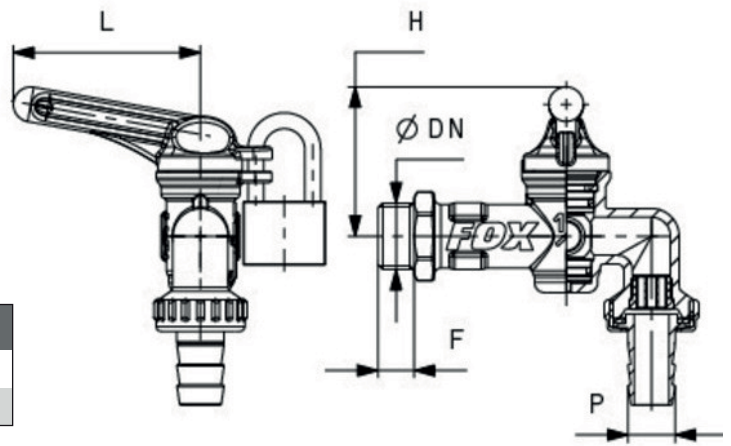
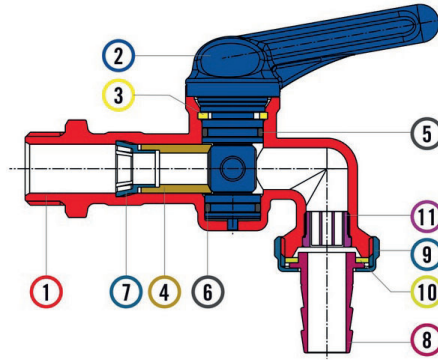
Screwed BSPP Male, Nickel Plated Body, Lockable Lever Operated, 1/2" Hose, Non-freezing



Pressure / Temperature Specifications	
Pressure	PN16
Temperature	-10°C to 60°C

Material Specifications		
1.	Body	CB754S Brass
2.	Plug	Technopolymer
3.	Seeger	Technopolymer
4.	Seats	NBR
5.	O-ring	NBR
6.	O-ring	NBR
7.	Screwed Ring	Technopolymer
8.	Hose Connection	CW614N Brass
9.	Swivel Nut	CW617N Brass
10.	Gasket	NBR
11.	Jet Breaker	PA

Dimensions						
A	Ø	F	H	L	P	Kg
1/2"	9	12	47	60	15	0.24



Last updated 05/05/2021