

Brass Ball Valve with Hose Union

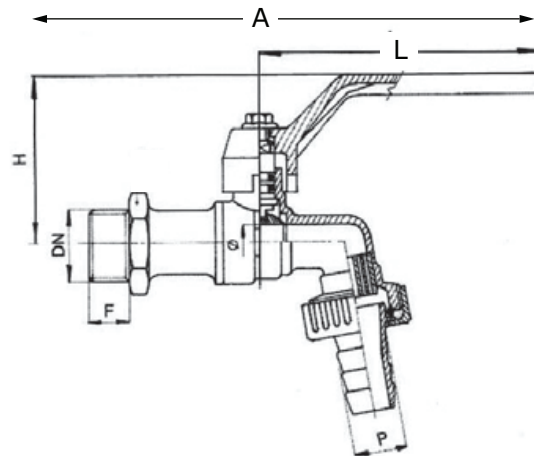
LV 5600

Screwed BSPP, For Use with Thermal Insulation, ISO 5211 for Direct Mount, Note: Neck is Non-Rotating.

Pressure / Temperature Specifications	
Pressure	PN16
Temperature	-20°C to 110°C

Material Specifications	
Body	Nickel Plated Brass
Ball	Chrome Plated Brass
Seats	NBR
Stem	Nickel Plated Brass
Handle	Brass

Dimensions							
DN	Ø	F	H	L	P	A	Kg
½"	10	14	49	85	15	137	0.19
¾"	12.5	16	54	105	20	150	0.27
1"	15	15	56	105	26	163	0.4
1¼"	25	18	72	120	26	200	0.86



All information is sourced from our manufacturer's data and is intended for guidance only - Leengate Valves can accept no liability for changes, omissions or errors.