

Brass Ball Valve - 3 Way - 360° Operation - Lockable

LV 5320

Screwed BSPP, Chrome Plated Brass Body, PTFE Seats, Viton O-rings, 360° Operation, Red PVC Coated Lockable Lever. Will operate T or L Port Functions.

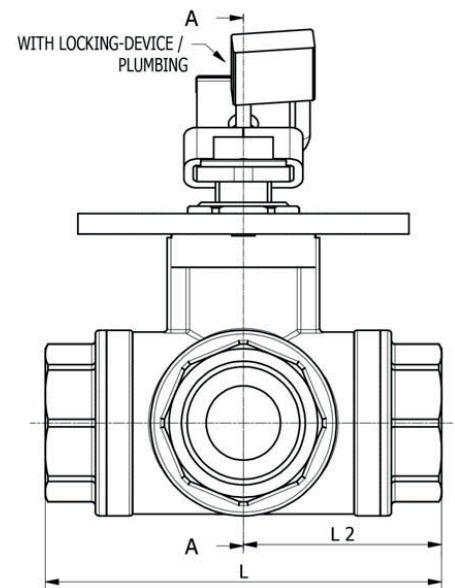
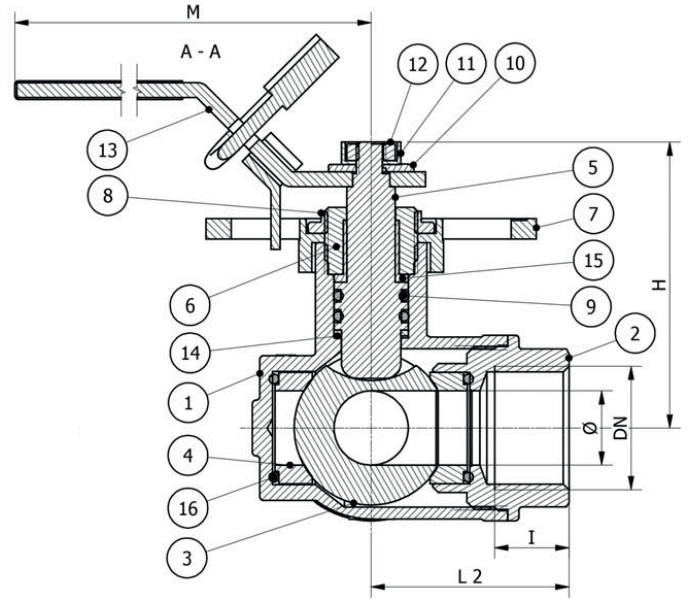


Pressure / Temperature Specifications

Pressure	PN40
Temperature	-10°C to 100°C

Material Specifications

1.	Body	Brass CW 617 N
2.	Sleeve	Brass CW 617 N
3.	Ball	Brass CW 614 N
4.	Seat	PTFE
5.	Stem	Brass CW 614 N
6.	Nut	Brass CW 614 N
7.	Plate Disc	Brass CW 617 N
8.	Nut	Steel UNI 7356-CB4FF
9.	O-ring	Viton
10.	Flux Indicator	EN 7639 SGALSI 1
11.	Washer	Brass CW 614 N
12.	Intrusion Proof Nut	Brass CW 614 N
13.	Lever	Plastic Coated Steel
14.	Anti-scuff Ring	F391
15.	Anti-scuff Bush	F391
16.	O-ring	Viton



Dimensions

DN	L	L2	Ø	I	H	M	Kv	Kg
1/2"	82	41	10	17	63	120	2.27	0.83
3/4"	90	45	15	18.5	66	120	5.5	1.02
1"	106	53	20	20	78	170	10.76	1.78
1 1/4"	120	60	25	23.5	82	170	17.26	2.32
1 1/2"	142	71	32	28.5	97	250	24.97	3.84
2"	165	82.5	40	32	104	250	45.09	5.77
2 1/2"	194	97	50	35	115	250	TBC	6.9

Head Loss Chart

