

# Brass Ball Valve - 3 Way - ISO Top

Screwed BSPP, ISO 5211 for Direct Mount

LV4510T = T Port

LV4511L = L Port

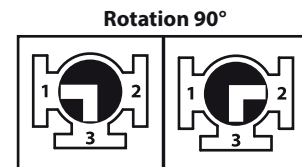
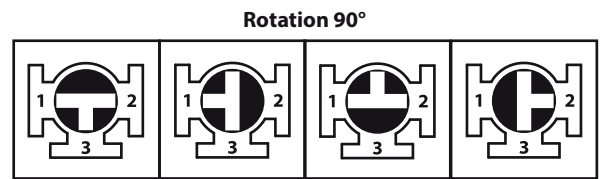


## Pressure / Temperature Specifications

Pressure	PN40
Temperature	-10°C to 100°C

## Material Specifications

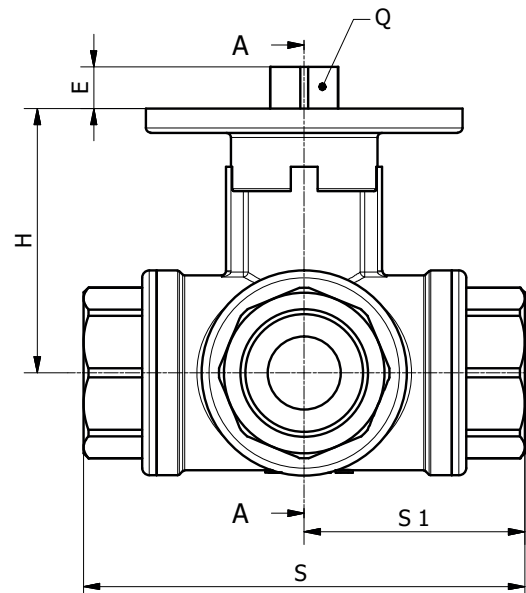
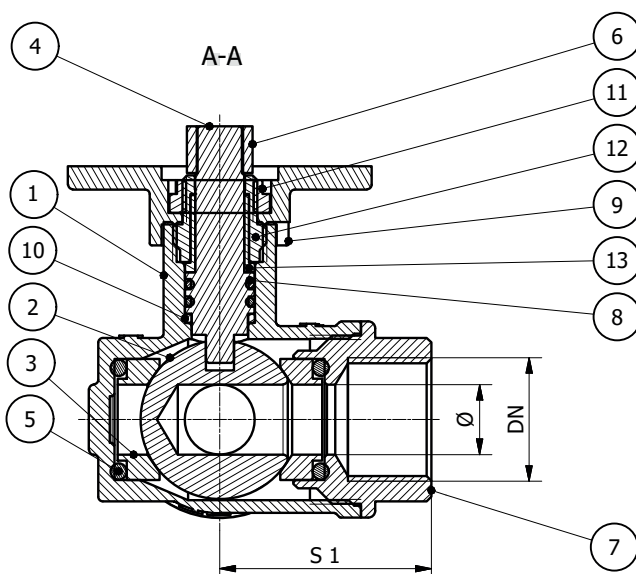
1.	Body	EN12420-CW617N Nickel Plated Brass
2.	Ball	EN12164-CW614N Chrome Plated Brass
3.	Seat	PTFE
4.	Stem	EN12164-CW614N Brass
5.	O-ring	NBR
6.	Square	EN12164-CW614N Brass
7.	Sleeve	EN12420-CW617N Nickel Plated Brass
8.	O-ring	NBR
9.	Motor Plate Disc	EN12420-CW617N Nickel Plated Brass
10.	Anti-scuff Ring	PTFE
11.	Nut	EN12164-CW614N Brass
12.	Nut	EN12164-CW614N Brass
13.	Anti-scuff Bush	PTFE



## Dimensions

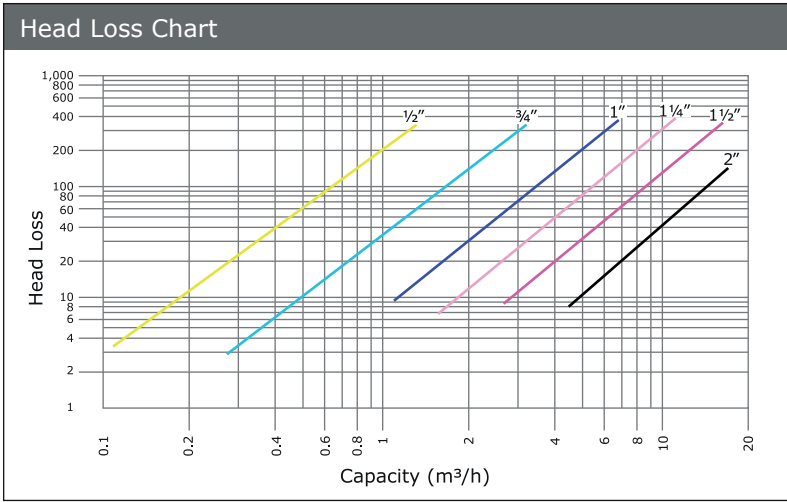
DN	S	S1	Ø	P	H	E	Q	ISO	Nm*	Kv	Kg
1/2"	82	41	10	17	50.5	8	9	F03	4.0	2.27	0.7
3/4"	90	45	15	18.35	53.5	8	9	F03	4.0	5.5	1.13
1"	106	53	20	20	63	10	11	F05	5.0	10.76	1.7
1 1/4"	120	60	25	23.5	67	10	11	F05	6.0	17.26	2.3
1 1/2"	142	71	32	28.5	73	12	14	F05	8.0	24.97	3.7
2"	165	82.5	40	32	80	12	14	F05	9.0	45.09	6.0
2 1/2"	194	97	50	35	90.5	12	14	F05	12.0	TBC	6.8

Nm\* Data effectuated without pressure in accordance with Directive 97/23/CE TAB. 6



# Brass Ball Valve - 3 Way - ISO Top

LV 4510 T / LV 4511 L



Last updated 25/02/2021