

Brass Filter Ball Valve



LV 4430 / LV 4434

Screwed BSPP, Built-in Filter Mesh

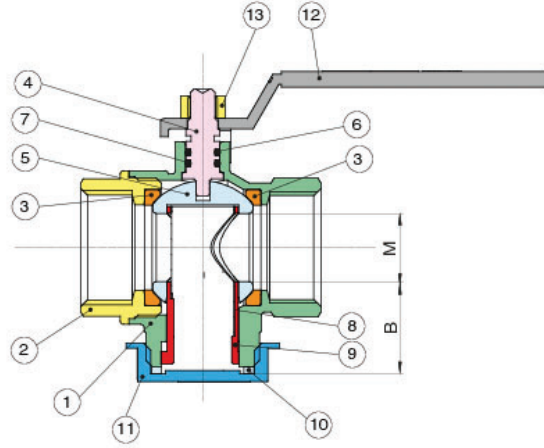
LV 4430 - Lever Operated LV 4434 - Tee Handle Operated

Pressure / Temperature Specifications

Pressure	PN30 ½" to 1"	PN20 1¼" to 2"
Temperature	-20°C to 100°C	

Material Specifications

1. Body	CW617N Brass
2. End	CW617N Brass
3. Ball Seat	PTFE
4. Stem	CW614N Brass
5. Ball	CW617N Brass
6. O-ring	NBR
7. O-ring	FKM
8/9. Strainer	AISI 304 Stainless Steel & Nylon
10. Gasket Ring	NBR
11. Cap	CW614N Brass
12. Handle	Zinc Plated Steel
13. Nut	Zinc Plated Steel
Screw	Inox Stainless Steel
Magnet	Neodymium



Filter Mesh	
½" to 2"	500µm

Dimensions (LV 4430)

Size	A	B	C	D	E	F	L	O	P	Ch1	Ch2	Kg
½"	44.2	27	66.2	24	26.7	50.7	100	75.2	31	25	24	0.24
¾"	47.4	30.9	73.5	29	32.3	61.3	100	82.5	35.1	31	30	0.36
1"	50.8	34.5	80.5	34.5	35.6	70.1	100	89.5	38.7	38	38	0.55
1¼"	74	46.5	106	40	45	85	158	125.5	51.5	48	46	1.03
1½"	80	52.5	118	45.5	52	97.5	158	137.5	57.5	54	55	1.45
2"	88.5	63.5	143	54	63	117	158	157	68.5	66	65	2.38

Dimensions (LV 4434)

Size	A	B	C	D	E	F	L	O	P	Ch1	Ch2	Kg
½"	44.2	27	66.2	24	26.7	50.7	68	75.2	31	25	24	0.24
¾"	47.4	30.9	73.5	29	32.3	61.3	68	82.5	35.1	31	30	0.36
1"	50.8	34.5	80.5	34.5	35.6	70.1	68	89.5	38.7	38	38	0.55

