

# Brass Ball Valve - Long Pattern



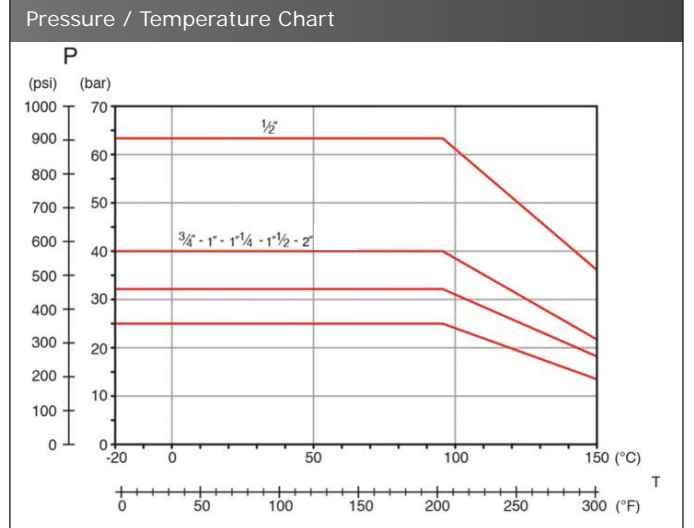
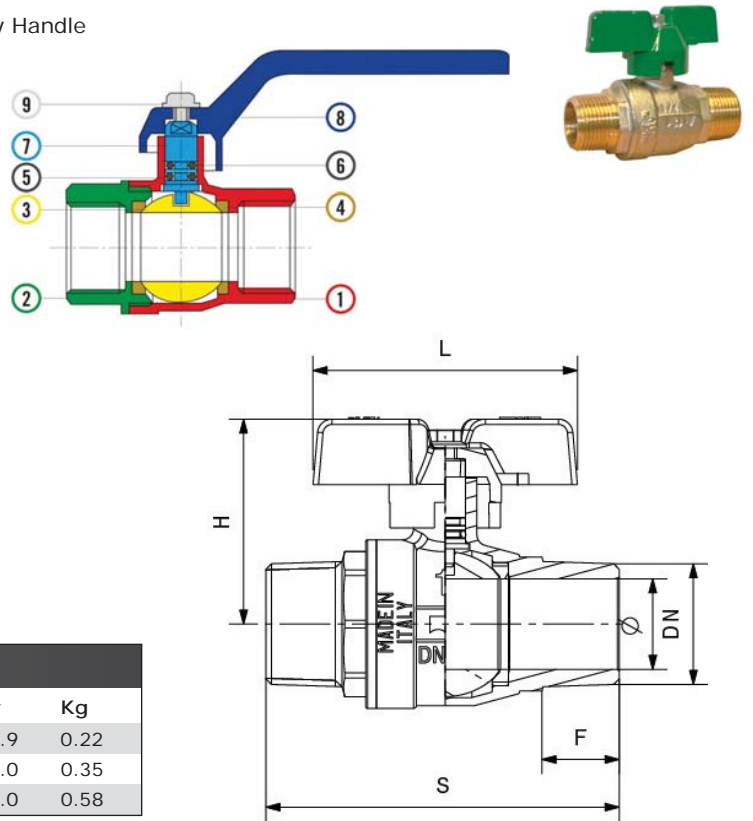
LV 4424

Screwed BSPT Male, Nickel Plated Body, Full Bore, Butterfly Handle

Pressure / Temperature Specifications		
Pressure	PN64 ½"	PN40 ¾" & 1"
Temperature	-20°C to 150°C	

Material Specifications	
1. Body	CW617N Nickel Plated Brass
2. Body End	CW617N Nickel Plated Brass
3. Ball	CW617N Chrome Plated Brass
4. Seats	PTFE
5. O-ring	FKM
6. O-ring	NBR
7. Stem	CW614N Brass
8. Lever	Aluminium
9. Screw	Zinc Plated Steel

Dimensions									
DN	Ø	H	S	L	F	Kv	Cv	Kg	
½"	15	45	71	60	16	15.5	17.9	0.22	
¾"	20	53	82	73	17.5	31.0	36.0	0.35	
1"	25	57	97.5	73	21	52.0	60.0	0.58	



Last updated 19/08/2020