

# Brass Ball Valve - Long Pattern



LV 4420

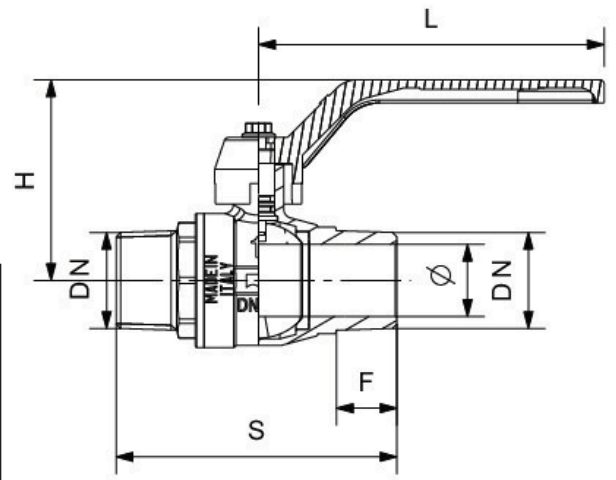
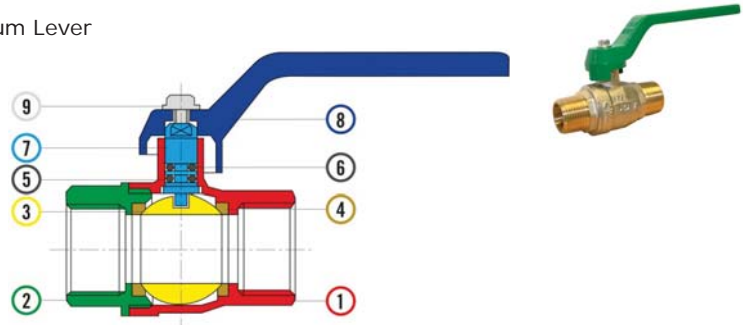
Screwed BSPT Male, Nickel Plated Body, Full Bore, Aluminium Lever

### Pressure / Temperature Specifications

Pressure	PN64 ½"	PN40 ¾" to 2"
Temperature	-20°C to 150°C	

### Material Specifications

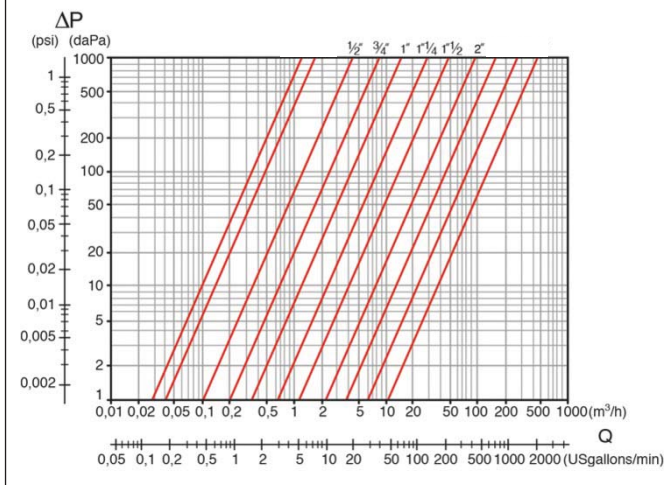
1. Body	CW617N Nickel Plated Brass
2. Body End	CW617N Nickel Plated Brass
3. Ball	CW617N Chrome Plated Brass
4. Seats	PTFE
5. O-ring	FKM
6. O-ring	NBR
7. Stem	CW614N Brass
8. Lever	Aluminium
9. Screw	Zinc Plated Steel



### Dimensions

DN	Ø	H	S	L	F	Kv	Cv	Kg
½"	15	55	71	90	16	15.5	17.9	0.24
¾"	20	66	82	120	17.5	31.0	36.0	0.37
1"	25	70	97.5	120	21	52.0	60.0	0.6
1¼"	32	83	108	135	22.5	100.0	116.0	0.93
1½"	40	93	122	160	22.5	180.0	206.0	1.23
2"	50	102	146	160	26.5	350.0	405.0	1.97

### Pressure Loss Chart



### Pressure / Temperature Chart

