

Brass Ball Valve - Male Union End



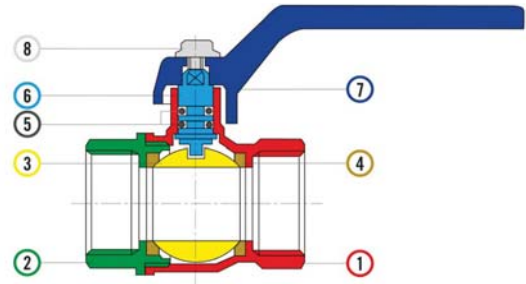
LV 4406

Screwed BSPP Female x Male BSPP Union End, Nickel Plated Body, Full Bore, Red Lever



Pressure / Temperature Specifications	
Pressure	PN40 ½"
	PN32 ¾" & 1"
	PN30 1¼" to 2"
Temperature	-20°C to 110°C

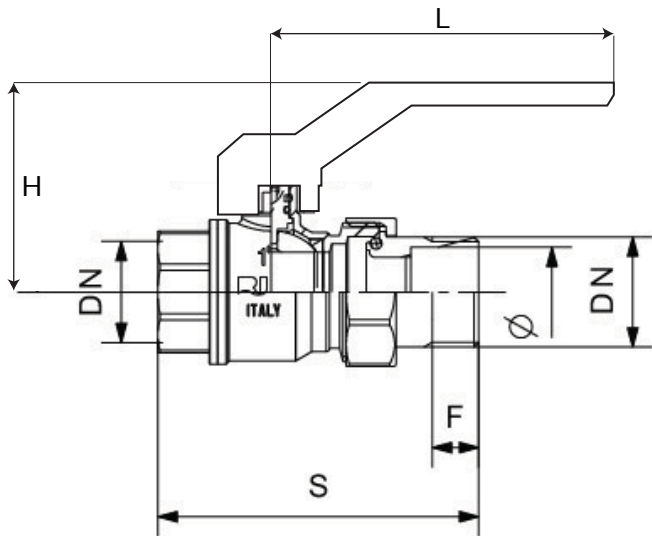
Material Specifications	
1. Body	Nickel Plated CW 617 N Brass
2. Union End	Nickel Plated CW 617 N Brass
3. Ball	Chrome Plated CW 617 N Brass
4. Seats	PTFE
5. O-ring	NBR
6. Stem	CW 614 N Brass
7. Lever	Aluminium
8. Screw	Zinc Plated Steel



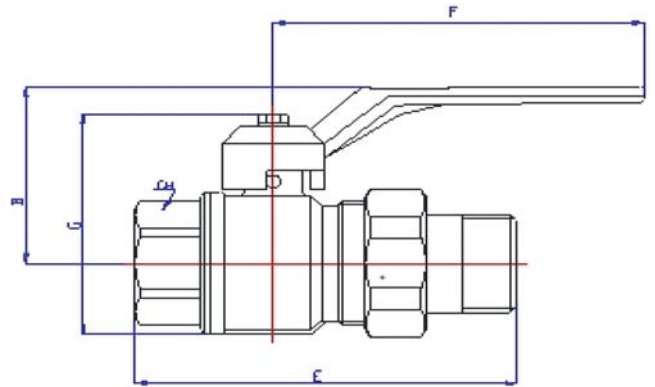
½" to 1" Dimensions						
DN	Ø	H	S	L	F	Kg
½"	14.5	48	75	84	13	0.21
¾"	19	52	84	84	14	0.32
1"	24	58	98	90	17	0.5

1¼" to 2" Dimensions						
Size	B	E	F	G	CH	Kg
1¼"	71	119	126	88	47	0.94
1½"	78	132.9	126	112	54	1.23
2"	95	168	145	123	66	1.8

½" to 1" Drawing



1¼" to 2" Drawing



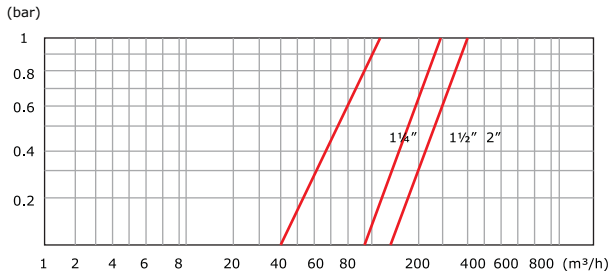
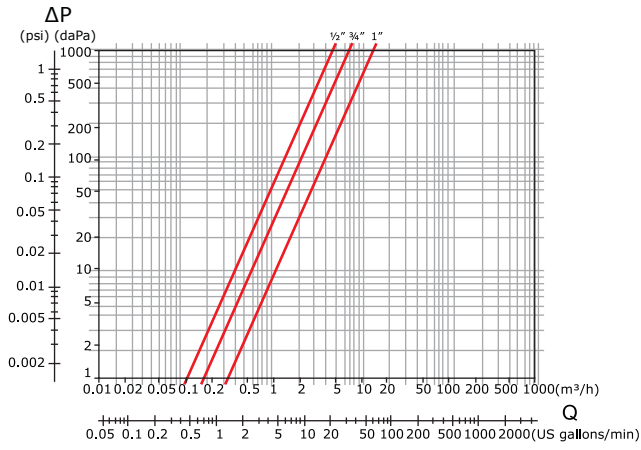
Continues on page 2

Brass Ball Valve - Male Union End

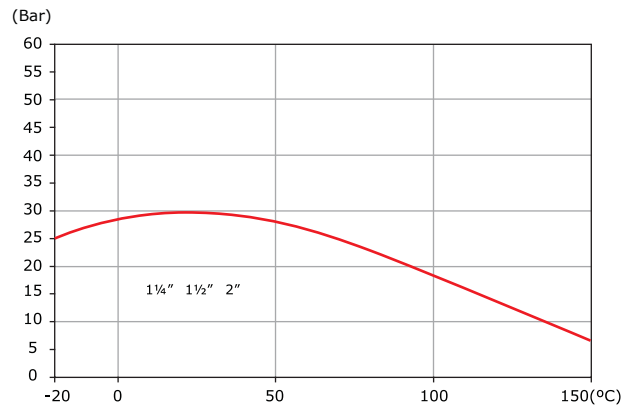
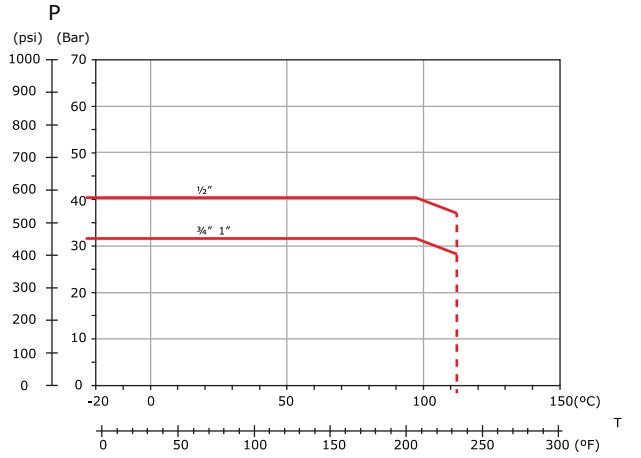


LV 4406

Pressure Loss Chart



Pressure / Temperature Chart



Last updated 07/07/2020