

Brass Ball Valve - Long Pattern

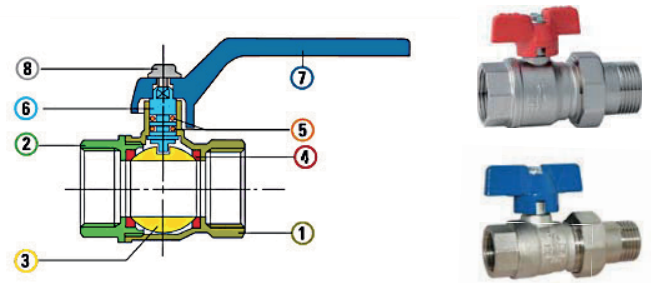


LV 4405 1/2" to 1" & LV 4408

Screwed **BSPP** Female x Male **BSPP** Union End, Nickel Plated Body,
Full Bore, Butterfly Handle.

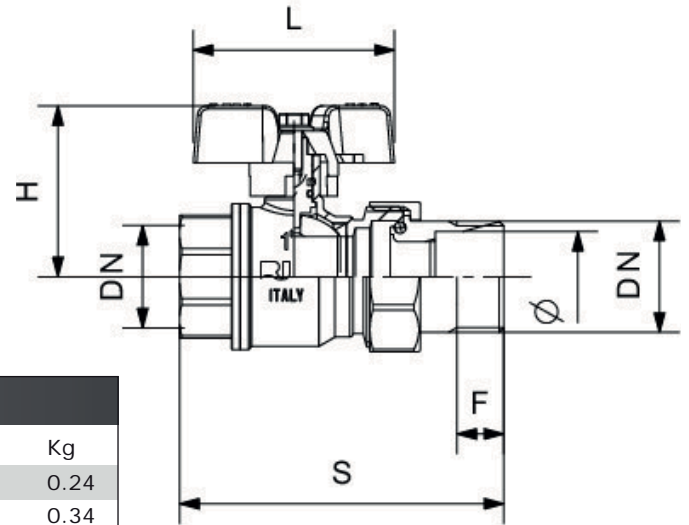
LV 4405 = Red Handle

LV 4408 = Blue Handle

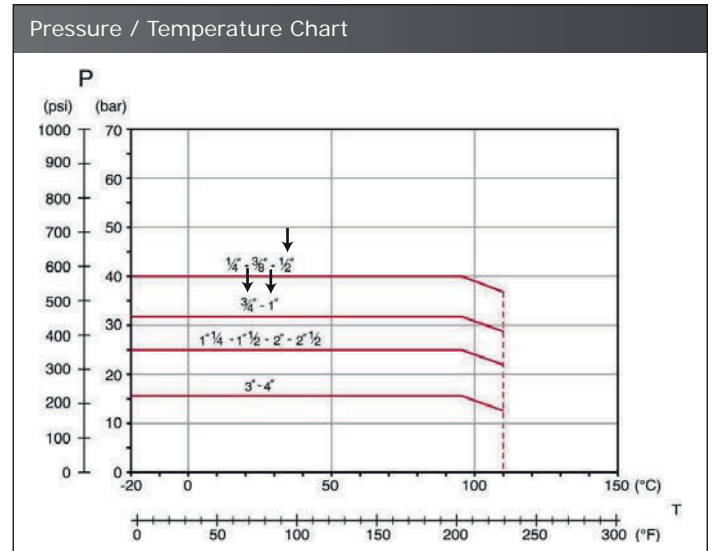
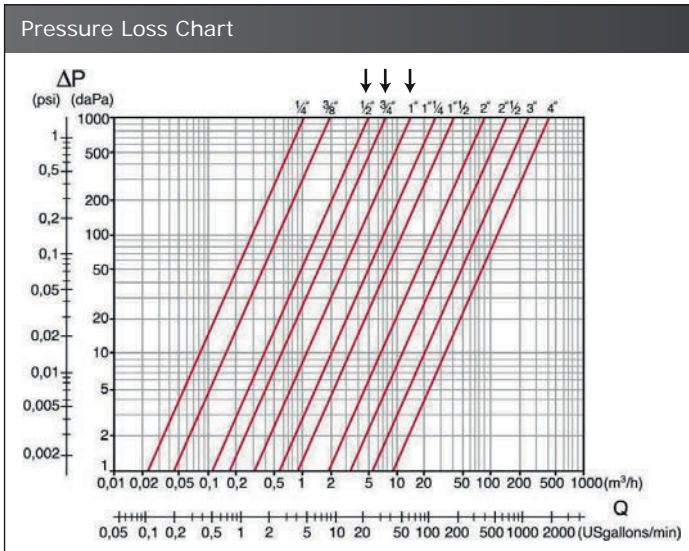


Pressure / Temperature Specifications	
Pressure	PN25
Temperature	-20°C to 110°C

Material Specifications		
1.	Body	Nickel Plated Brass CW 617 N
2.	Body End	Nickel Plated Brass CW 617 N
3.	Ball	Chrome Plated Brass CW 617 N
4.	Seats	PTFE
5.	O-ring	NBR
6.	Stem	Brass CW 614 N
7.	Lever	Aluminium
8.	Screw	Zinc Plated Steel



Dimensions								
Size	Ø	H	S	L	F	Kv	Cv	Kg
1/2"	14.5	41	75	52	13	16.5	19.1	0.24
3/4"	19	48	84	60	14	25.0	29.0	0.34
1"	24	51	98	60	17	46.0	53.0	0.54



Brass Ball Valve - Long Pattern



Screwed **BSPP** Female x Male **BSPP** Union End, Nickel Plated Body,
Full Bore, Butterfly Handle.

Pressure / Temperature Specifications

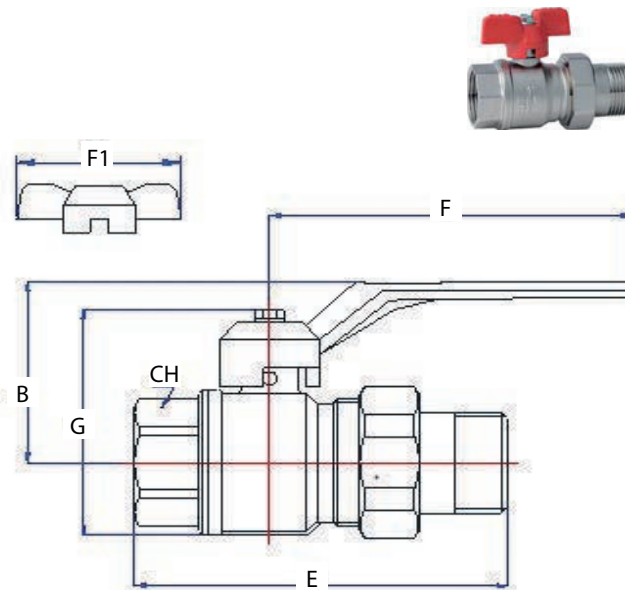
Pressure	PN32
Temperature	-20°C to 150°C (Min/Max)

Material Specifications

Body, Sleeve, Connection	CW617N Brass
Stem	CW614N Brass
Ball	Chrome CW617N Brass
Seats	PTFE
O-ring	FKM & NBR
O-ring	NBR
Lever	Aluminium
Screw	Zinc Plated Steel

Dimensions

Size	B	E	F	G	F1	CH	Kg
1¼"	71	119	126	88	61	47	0.99
1½"	78	113	126	112	-	54	1.84



LV 4405 - 1¼" & 1½"