

Brass Angle Pattern Ball Valve - Male Union End

LV 4402

Screwed BSPP Female x Male BSPP Union End, Brass Body, Ball & Stem, PTFE Seats, EPDM O-rings, Red Butterfly Handle

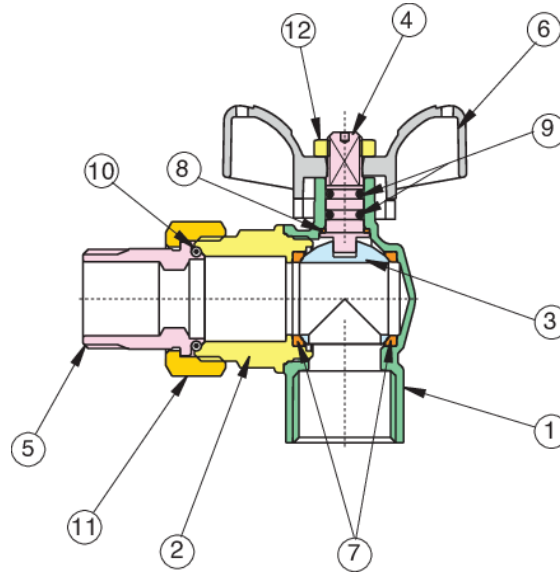


Pressure / Temperature Specifications

Pressure	PN30
Temperature	-20°C to 160°C

Material Specifications

1. Body	CW617N Brass
2. End	CW617N Brass
3. Ball	CW617N Brass
4. Stem	CW614N Brass
5. Union	CW617N Brass
6. Handle	Aluminium
7. Ball Seat	PTFE
8. Stem Seat	PTFE
9. O-ring	EPDM
10. O-ring	EPDM
11. Nut	CW617N Brass
12. Nut	Steel



Dimensions

Size	I	I1	M	h	h1	L	Ch	Kv	Kg
1/2"	15	10	50	74.5	34	59	30	6.0	0.29
3/4"	16.3	12	64	89	38	70.5	37	11.5	0.45
1"	19.1	14	64	100	45.5	80.5	47	18.3	0.79

