

Brass Ball Valve - Heavy Pattern - Male x Female

LV 4380

Screwed BSPT Male x BSPP Female, Nickel Plated Body, PTFE Seats, NBR O-rings, Full Bore, Aluminium Lever



Pressure / Temperature Specifications

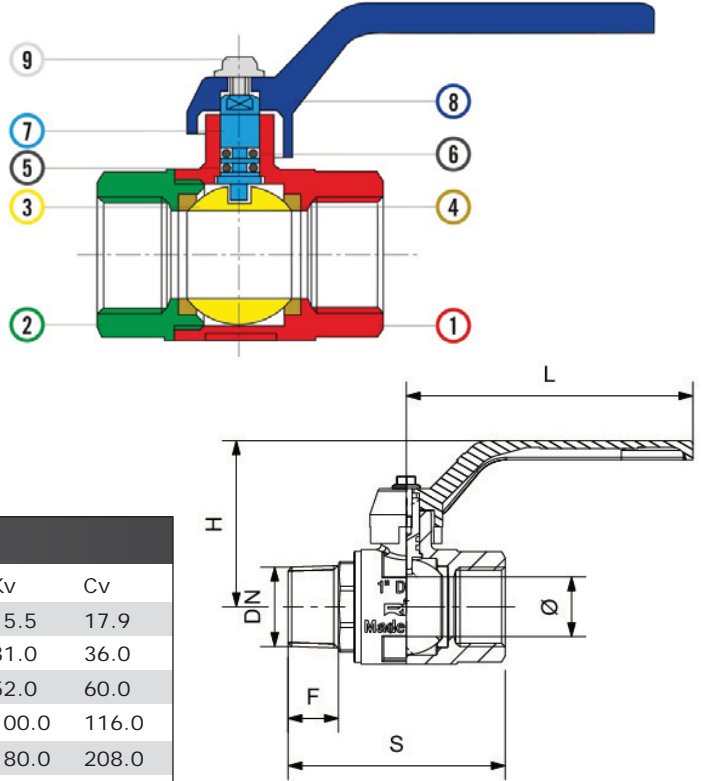
Pressure	PN64 ½" to 1", PN50 1¼" to 2"
Temperature	-20°C to 150°C

Materials

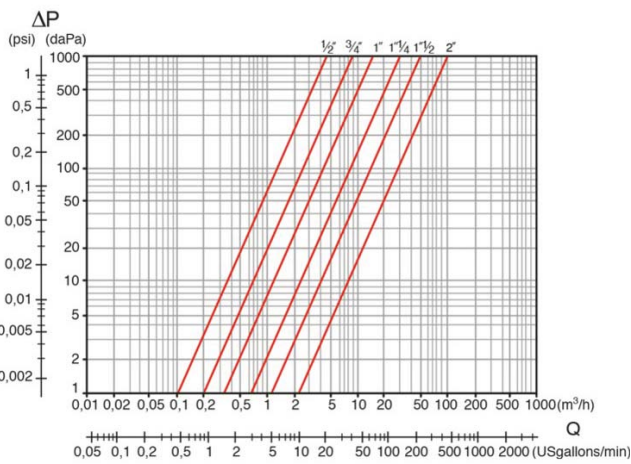
1. Body	Nickel Plated CW-617-N Brass
2. End	Nickel Plated CW-617-N Brass
3. Ball	Chrome Plated CW-617-N Brass
4. Seats	PTFE
5. O-ring	Viton
6. O-ring	NBR
7. Stem	CW-614-N Brass
8. Lever	Aluminium
9. Screw	Zinc Plated Steel

Dimensions

DN	Ø	H	S	L	F	Kg	Kv	Cv
½"	15	55	67	90	16	0.3	15.5	17.9
¾"	20	66	76	120	17.5	0.5	31.0	36.0
1"	25	70	91	120	21	0.7	52.0	60.0
1¼"	32	83	101	135	22.5	1.1	100.0	116.0
1½"	40	93	113	160	22.5	1.5	180.0	208.0
2"	50	102	134	160	26.5	2.3	350.0	405.0



Pressure Loss Chart



Pressure/Temperature Chart

