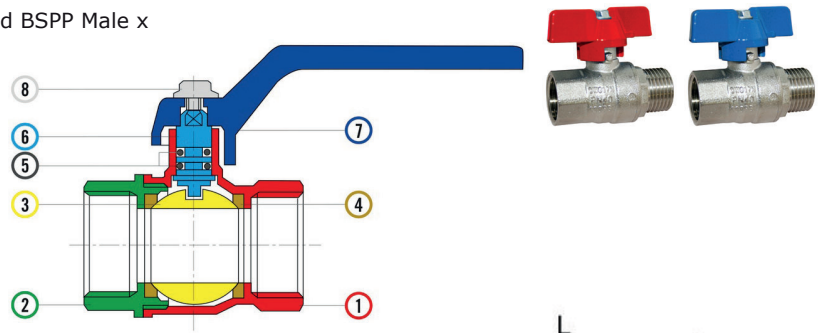


Brass Ball Valve - Standard Pattern



LV 4334 & LV 4338

Screwed BSPT Male x BSPP Female 1/4" & 3/8", Screwed BSPP Male x BSPP Female 1/2" to 1", Nickel Plated Body, Full Bore
 LV 4334 Red Butterfly Handle
 LV 4338 Blue Butterfly Handle



Pressure / Temperature Specifications	
Pressure	PN64 1/4" & 3/8"
	PN40 1/2"
	PN32 3/4" & 1"
Temperature	-20°C to 110°C

Material Specifications		
1.	Body	Nickel Plated Brass CW 617 N
2.	Body End	Nickel Plated Brass CW 617 N
3.	Ball	Chrome Plated Brass CW 617 N
4.	Seats	PTFE
5.	O-ring	NBR
6.	Stem	Brass CW 614 N
7.	Lever	Aluminium
8.	Screw	Zinc Plated Steel

Dimensions								
Size	Ø	H	S	L	F	Kv	Cv	Kg
1/4"	10	37	51	52	12	3.6	4.2	0.12
3/8"	10	38	53	52	10.5	6.6	76.0	0.12
1/2"	14.5	41	55	52	13	16.5	19.1	0.15
3/4"	19	48	65	60	14	25.0	29.0	0.25
1"	24	51	77	60	17	46.0	53.0	0.38

