

Brass Ball Valve - Heavy Pattern

LV 4224

Screwed BSPP, Nickel Plated Body, PTFE Seats, NBR O-rings, Full Bore, Aluminium Butterfly Handle



Pressure / Temperature Specifications

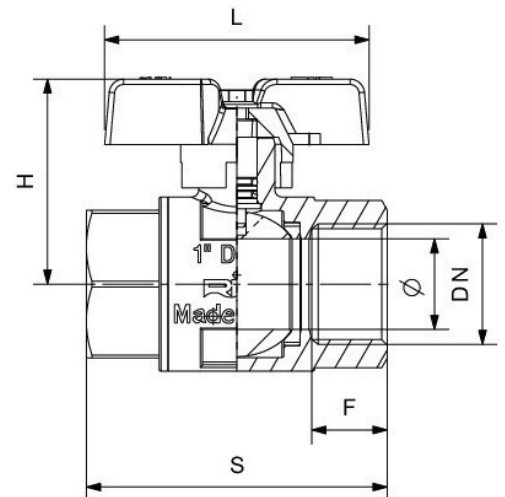
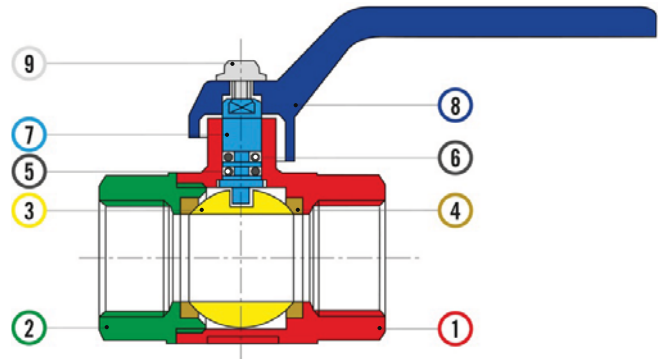
Pressure	PN64
Temperature	-20°C to 150°C

Materials

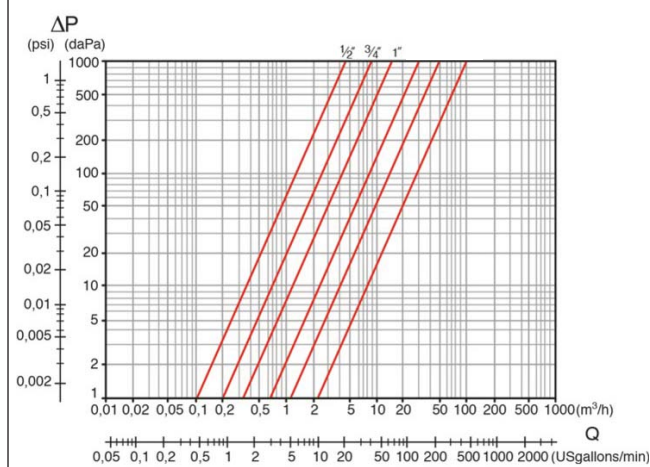
1. Body	Nickel Plated CW-617-N Brass
2. End	Nickel Plated CW-617-N Brass
3. Ball	Chrome Plated CW-617-N Brass
4. Seats	PTFE
5. O-ring	Viton
6. O-ring	NBR
7. Stem	CW-614-N Brass
8. Lever	Aluminium
9. Screw	Zinc Plated Steel

Dimensions

DN	Ø	H	S	L	F	Kg	Kv	Cv
½"	15	45	59	60	17	0.3	15.5	17.9
¾"	20	53	69	73	18	0.5	31.0	36.0
1"	25	57	83	73	22	0.7	52.0	60.0



Pressure Loss Chart



Pressure/Temperature Chart

