

Brass Ball Valve - BSI Gas Approved - HTB



LV 4181 / LV 4184 / LV 4185 / LV 4190

Screwed **BSPP**, Nickel Plated HT Brass Body, Full Bore

LV4181 - Yellow Lever

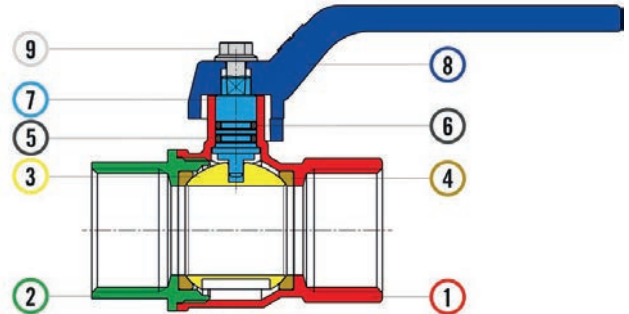
LV4184 - Yellow Butterfly Handle (½" to 1" only)

LV4185 - Blue Lever

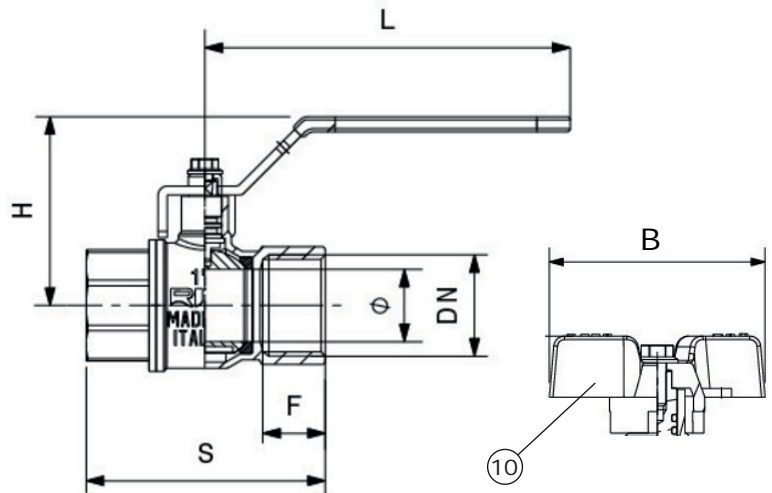
LV4190 - Red Lever



Pressure / Temperature Specifications		
Pressure	¼" & ⅜"	PN64
	½" to 1"	PN40
	1¼" to 2½"	PN25
	3" & 4"	PN16
Liquid Temperature	¼" to 2"	-20°C to 150°C
	2½" to 4"	-20°C to 110°C
Gas Temperature		-20°C to 70°C



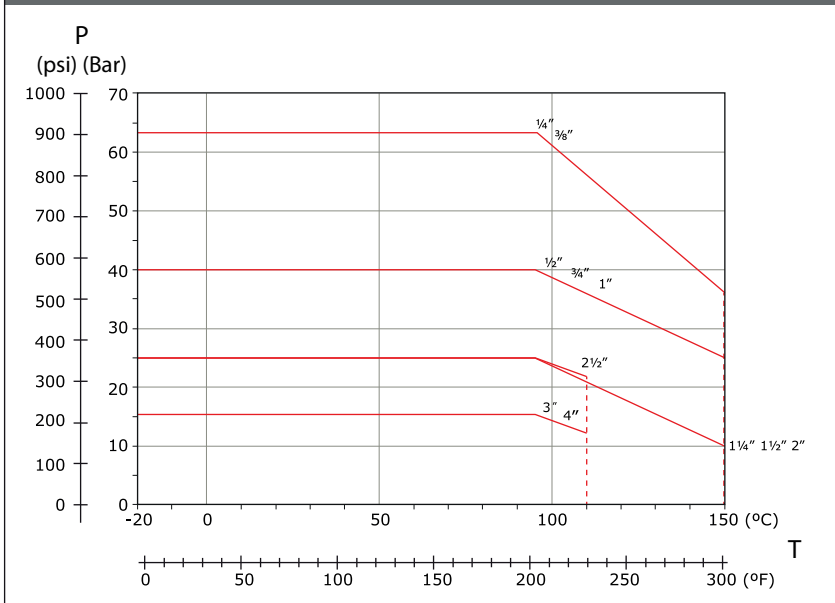
Material Specifications	
1. Body	Nickel Plated CW617N Brass
2. Body End	Nickel Plated CW617N Brass
3. Ball	Chrome Plated CW617N Brass
4. Seats	PTFE
5. O-ring	FKM (¼" to 2")
5. O-ring	NBR (2½" to 4")
6. O-ring	NBR
7. Stem	CW614N Brass
8. Lever	PVC Coated Steel
9. Screw	Zinc Plated Steel
10. Handle	Aluminium (available ½" to 1" only)



Dimensions									
DN	Ø	H	S	L	B	F	Kv	Cv	Kg
¼"	10	45	45	80	-	12	4.1	4.7	0.14
⅜"	10	45	45	80	-	12	6.3	7.3	0.14
½"	14.5	47	56	80	52	16.5	16.5	19.1	0.17
¾"	19	53	65	90	60	17.5	25.0	29.0	0.28
1"	24	58	79	90	60	20.5	46.0	53.0	0.42
1¼"	30.5	69	89	120	-	22.5	87.0	101.0	0.58
1½"	37	81	98	135	-	22.8	140.0	162.0	0.91
2"	47	94	120	160	-	27	275.0	318.0	1.58
2½"	60	106	126	160	-	23	500.0	578.0	2.21
3"	75	142	147	265	-	25	850.0	983.0	3.84
4"	94	160	177	265	-	29	1350.0	1562.0	6.21

Continues on Page 2

Pressure / Temperature Chart



Pressure Loss Chart

