

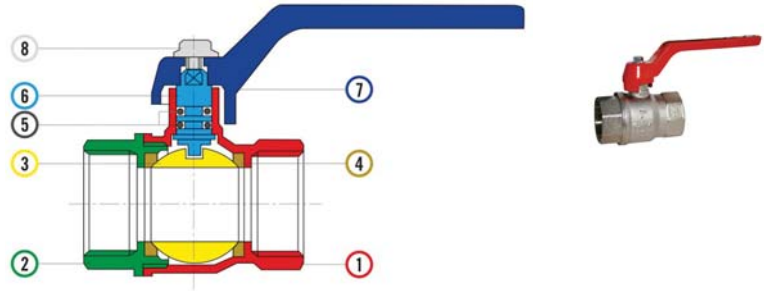
Brass Ball Valve - Standard Pattern



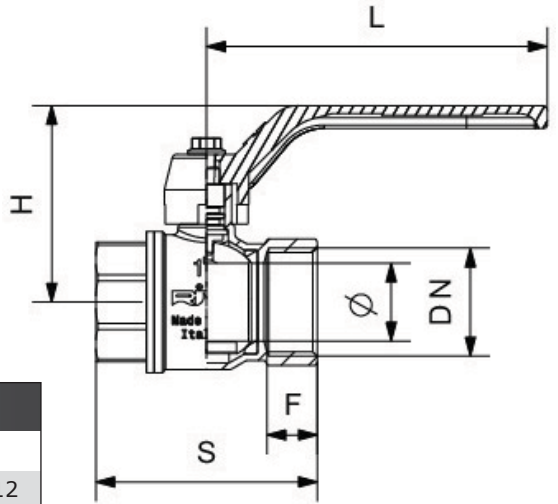
LV 4170

Screwed BSPP, Nickel Plated Body, Full Bore, Red Aluminium Lever

Pressure / Temperature Specifications	
Pressure	PN64 ¼" & ⅜"
	PN40 ½"
	PN32 ¾" & 1"
	PN25 1¼" to 2½"
	PN16 3" & 4"
Temperature	-20°C to 110°C



Material Specifications		
1.	Body	Nickel Plated Brass CW 617 N
2.	Body End	Nickel Plated Brass CW 617 N
3.	Ball	Chrome Plated Brass CW 617 N
4.	Seats	PTFE
5.	O-ring	NBR
6.	Stem	Brass CW 614 N
7.	Lever	Aluminium
8.	Screw	Zinc Plated Steel



Dimensions									
Size	Ø	H	S	L	F	Kv	Cv	Kg	
¼"	10	46	45	80	12	3.6	4.2	0.12	
⅜"	10	48	45	80	12	6.6	76.0	0.12	
½"	14.5	50	48	80	13	16.5	19.1	0.15	
¾"	19	57	57	90	14	25.0	29.0	0.24	
1"	24	60	69	90	16.5	46.0	53.0	0.37	
1¼"	30.5	73	79	120	18	87.0	101.0	0.57	
1½"	37	86	89	135	19	140.0	162.0	0.82	
2"	47	98	109	160	22.5	275.0	318.0	1.34	
2½"	60	110	126	160	23	500.0	578.0	2.11	
3"	75	148	147	265	25	850.0	983.0	3.55	
4"	94	163	177	265	29	1350.0	1562.0	6.00	

