

Brass Ball Valve - Fixed Extended Neck

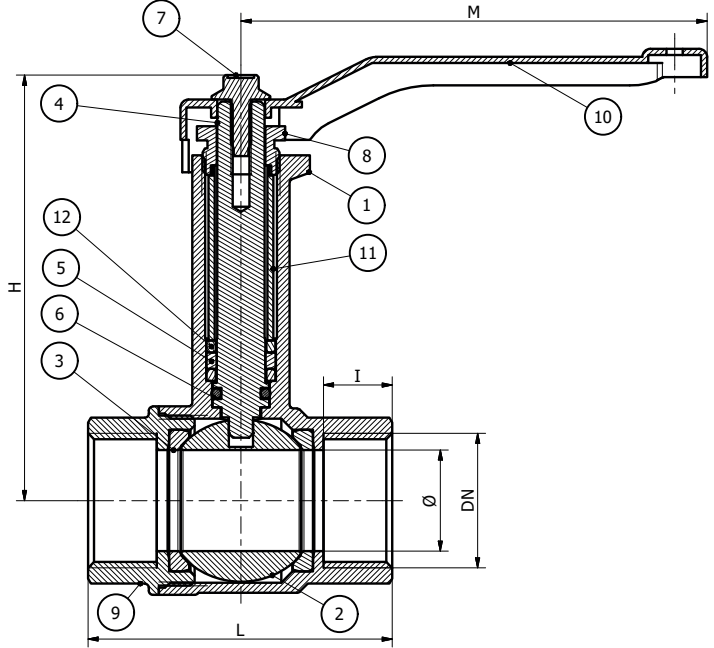
LV 4169

Screwed BSPP, For Use with Thermal Insulation, Full Bore, Cast Brass Body & Neck, Lever Operated. Note: Neck is Non-Rotating.



Pressure / Temperature Specifications	
Pressure	PN40
Temperature	-10°C to 100°C

Material Specifications	
1. Body	EN12420-CW617N Brass
2. Ball	EN12164-CW614N Brass
3. Seat	PTFE
4. Stem	EN12164-CW614N Brass
5. Gasket	PTFE
6. O-ring	NBR
7. Screw	UNI7356-CB4FF Steel
8. Nut	EN12164-CW614N Brass
9. Sleeve	EN12420-CW617N Brass
10. Lever	EN1011-DD13
11. Spacer	EN12164-CW614N Brass
12. Washer	EN12164-CW614N Brass



Dimensions							
Size	L	Ø	I	H	M	Kv	Kg
1/2"	56	15	14	104	92	30.0	0.36
3/4"	68	20	16	105.5	92	55.6	0.56
1"	78	25	17	112	115	85.0	0.98
1 1/4"	90	32	18	121	150	120.5	1.44
1 1/2"	100	39	19	129	150	240.0	1.81
2"	115	48	21	146	150	360.0	2.89

