

# Brass Y-type Strainer - with Drain Valve

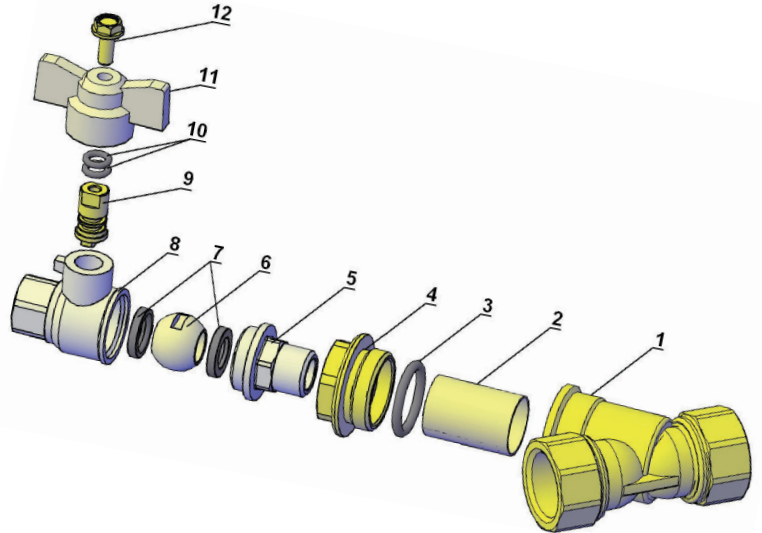
LV 2512

Screwed BSPP, Brass Body, Stainless Steel Mesh, Fitted with Drain Valve



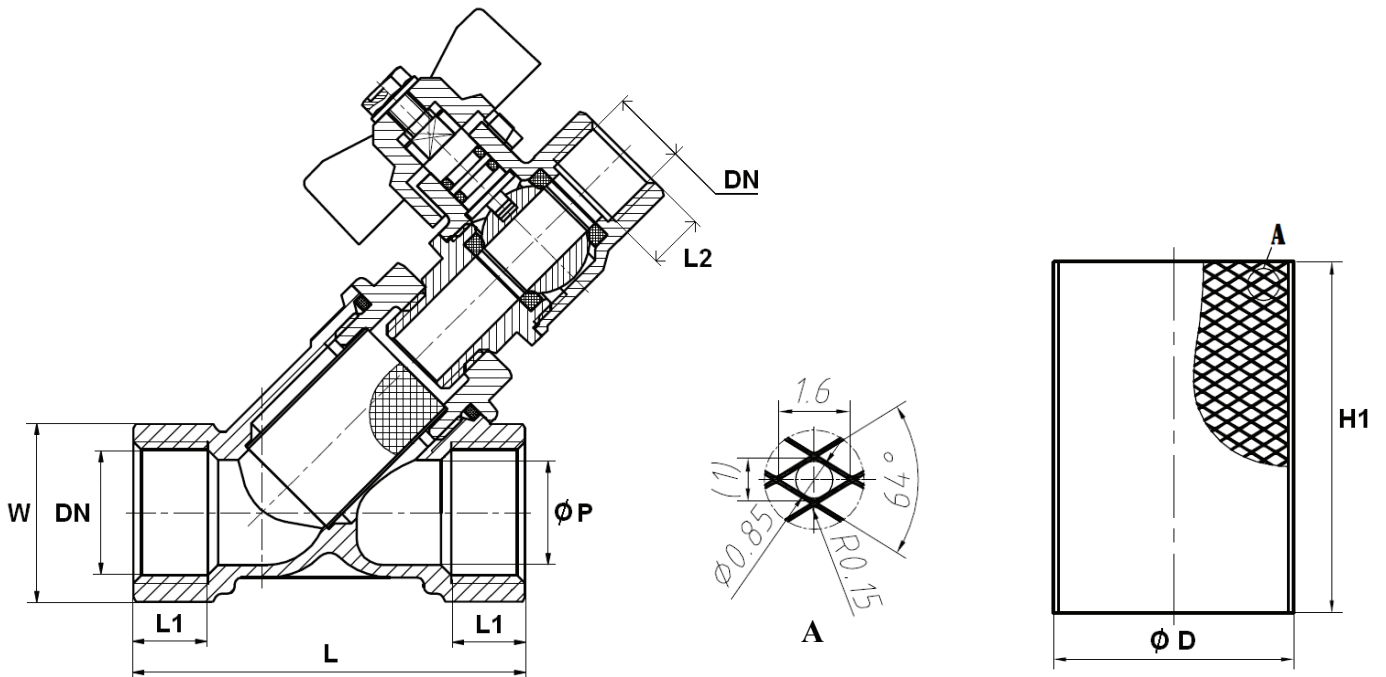
Pressure / Temperature Specifications	
Pressure	PN16
Temperature	0°C to 120°C

Materials	
1. Body	CW-617-N Brass
2. Filter	AISI 304 Stainless Steel
3. O-ring	EPDM
4. Bonnet	CW-617-N Brass
5. Bonnet	CW-617-N Brass
6. Ball	Chromed CW-617-N Brass
7. Seat	PTFE
8. Body	CW-617-N Brass
9. Stem	CW-617-N Brass
10. O-ring	NBR
11. Handle	Aluminium
12. Handle Screw	Steel



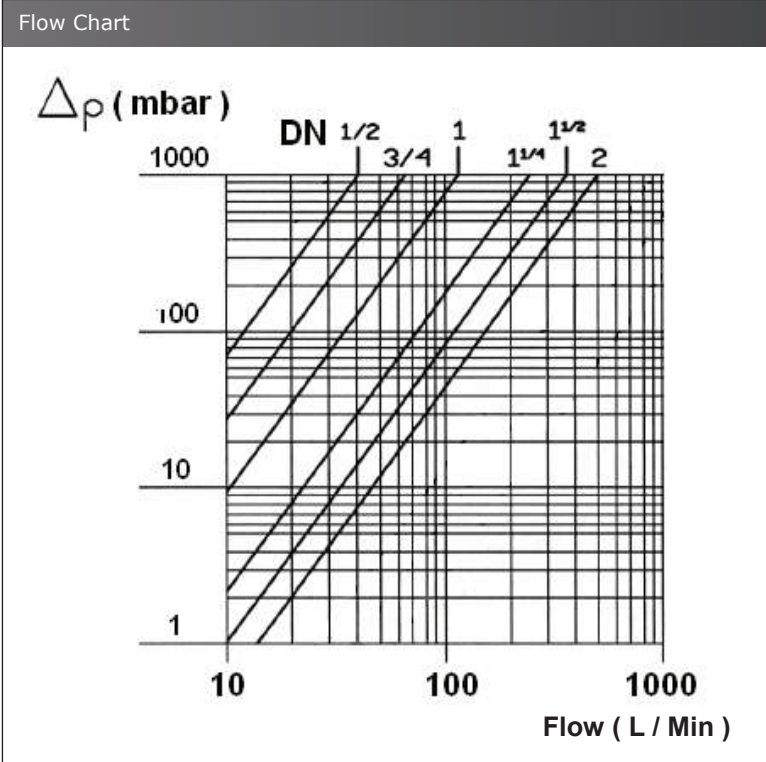
Dimensions										
DN	ØP	L	L1	L2	W*	ØD	H1	A	Kg	Kvs**
½"	15.6	58	11	9	25	18.5	25	850µm	0.24	4.4
¾"	20	68	12	9	31	23.5	40	850µm	0.32	10.22
1"	26	75	14	9	38	27.5	40.5	850µm	0.44	12.52
1¼"	32	90	16.5	9	47	33.5	46	850µm	0.55	14.44
1½"	42	108	18	9	54	42.5	54	850µm	0.9	26.54
2"	52	130	20	9	67	52.5	63	850µm	1.4	28.14

\* On flat  
\*\* M³/h



# Brass Y-type Strainer - with Drain Valve

LV 2512



Last updated 17/03/2025