

Variable Orifice Balancing Valve - Screwed BSPP

LV 2492

Screwed BSPP, Brass Body & Internals, EPDM Seals, Variable Orifice, Includes Test Points.

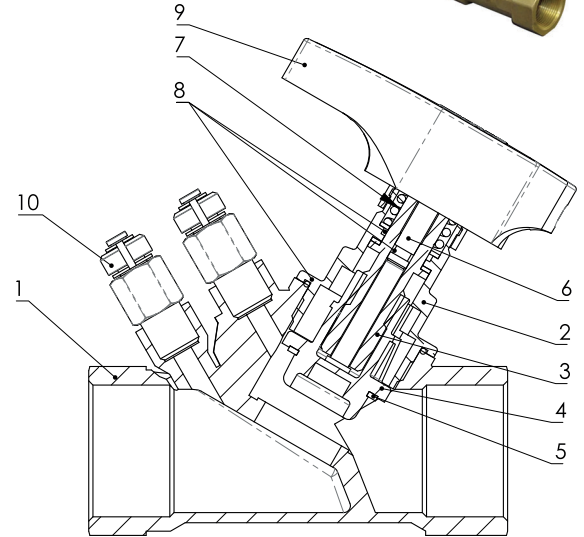


Pressure / Temperature Specifications

Pressure	PN20
Temperature	-20°C to 120°C

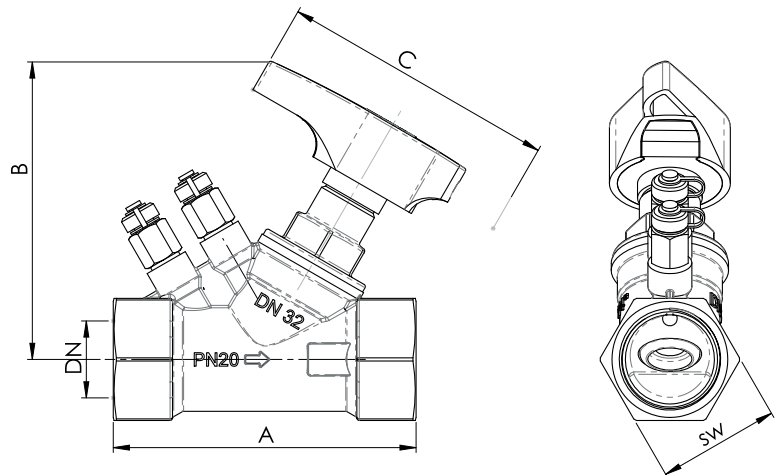
Material Specifications

1. Body	CW617N Brass
2. Bonnet	CW617N Brass
3. Stem	CW617N Brass
4. Plug	CW617N Brass
5. Seat Seal	EPDM
6. Memory Stop	CW617N Brass
7. Spring	Stainless Steel
8. Gasket & O-rings	EPDM
9. Handwheel	Plastic
10. Test Points	Brass



Dimensions

Size	A	B	C	SW	Kg
1/2"	90	115	114	27	0.54
3/4"	97	110	114	35	0.63
1"	110	120	114	40	0.82
1 1/4"	124	125	114	52	1.25
1 1/2"	130	130	114	57	1.63
2"	155	140	114	70	2.36

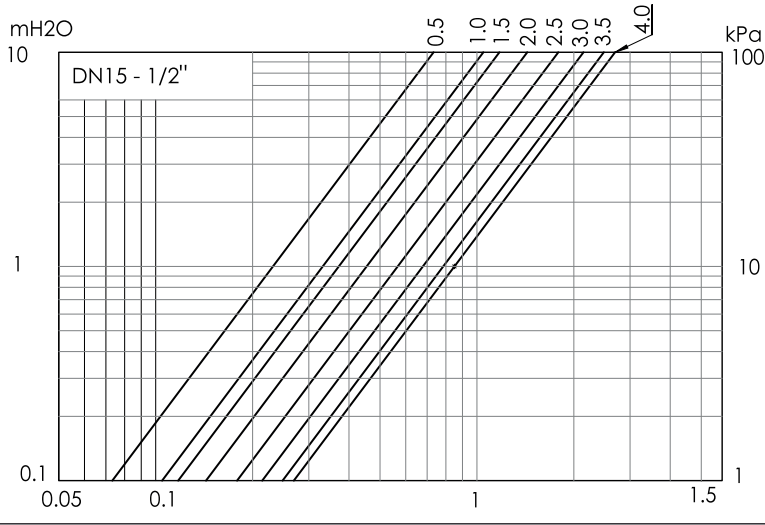


Further information on Page 2

Variable Orifice Balancing Valve - Screwed BSPP

LV 2492

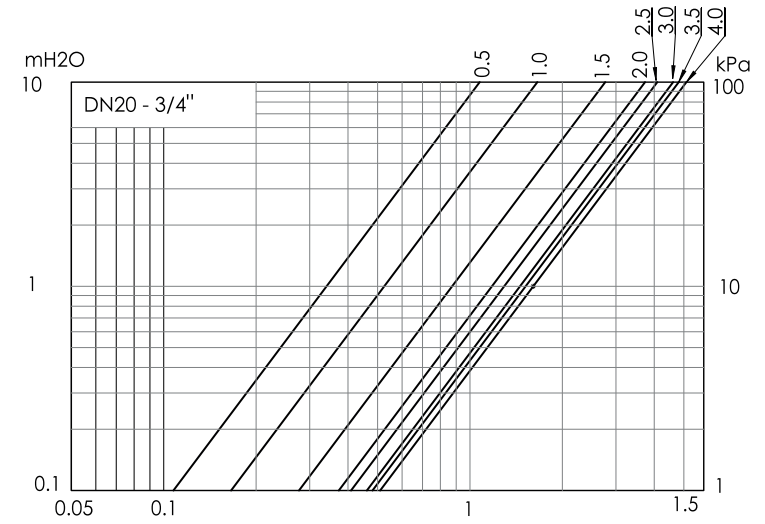
Pressure Loss Chart 1/2"



Kv Values 1/2"

Position	Kv
0.5	0.73
1.0	1.05
1.5	1.18
2.0	1.44
2.5	1.79
3.0	2.15
3.5	2.48
4.0	2.69

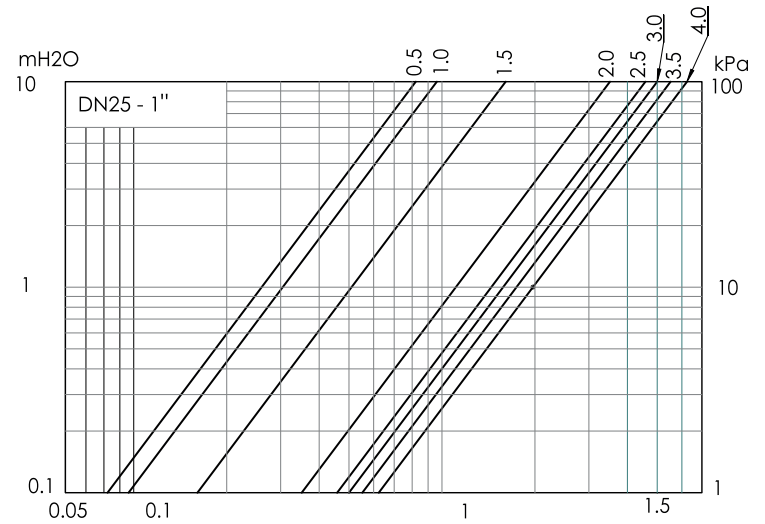
Pressure Loss Chart 3/4"



Kv Values 3/4"

Position	Kv
0.5	1.08
1.0	1.66
1.5	2.77
2.0	3.73
2.5	4.09
3.0	4.60
3.5	4.80
4.0	5.08

Pressure Loss Chart 1"



Kv Values 1"

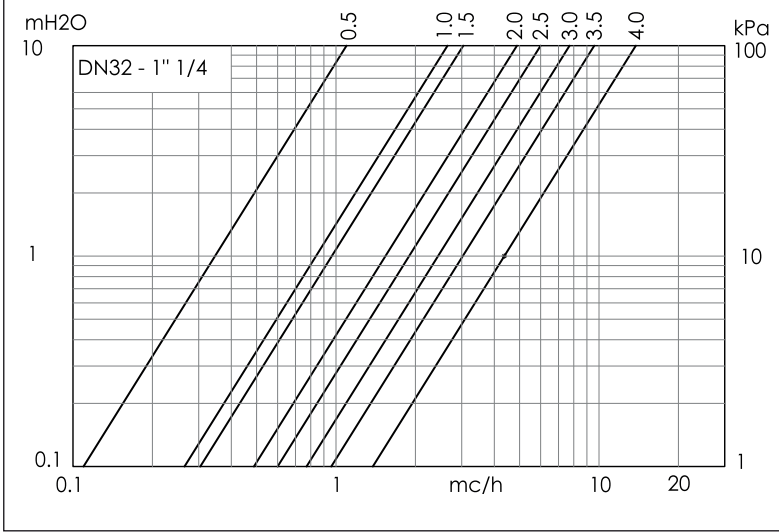
Position	Kv
0.5	0.82
1.0	0.96
1.5	1.61
2.0	3.51
2.5	4.57
3.0	5.00
3.5	5.52
4.0	6.23

Continues on Page 3

Variable Orifice Balancing Valve - Screwed BSPP

LV 2492

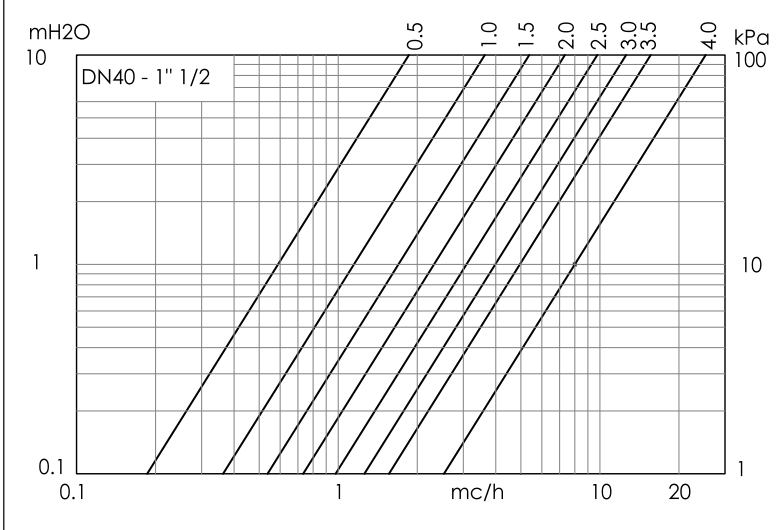
Pressure Loss Chart 1¼"



Kv Values 1¼"

Postion	Kv
0.5	1.10
1.0	2.65
1.5	3.05
2.0	4.45
2.5	6.01
3.0	7.72
3.5	9.60
4.0	13.78

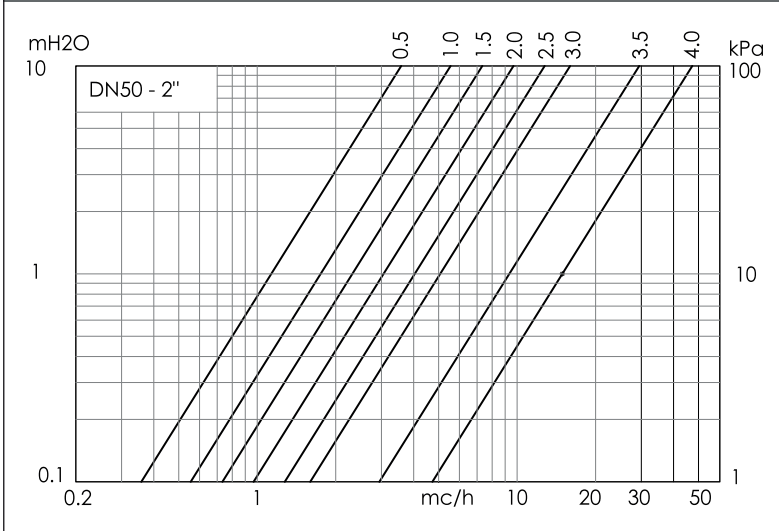
Pressure Loss Chart 1½"



Kv Values 1½"

Postion	Kv
0.5	1.86
1.0	3.62
1.5	5.38
2.0	7.34
2.5	9.97
3.0	12.60
3.5	15.60
4.0	25.30

Pressure Loss Chart 2"



Kv Values 2"

Postion	Kv
0.5	3.59
1.0	5.55
1.5	7.34
2.0	9.70
2.5	12.76
3.0	16.20
3.5	29.46
4.0	47.19

Further information on Page 4

Variable Orifice Balancing Valve - Screwed BSPP

LV 2492

Regulation Chart

