

Brass Float Valve

LV 2461

BS1212 Part One, High Pressure.

Note: Float Sold Separately.



Pressure / Temperature Specifications

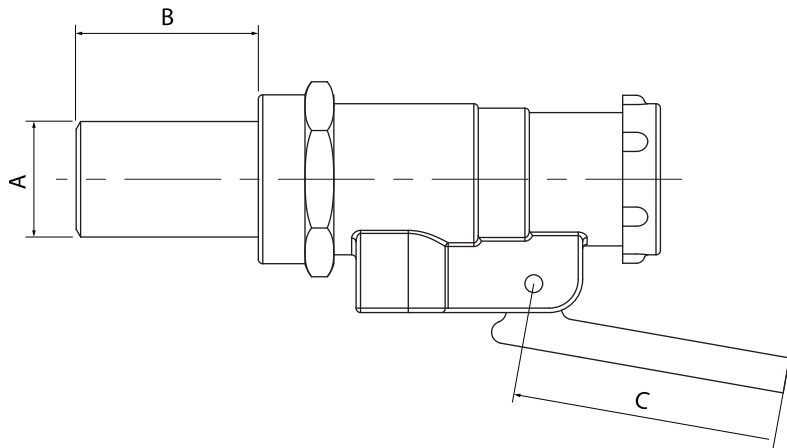
Maximum Pressure	PN20
Maximum Temperature	85°C

Specifications

Part	1/2"	3/4"	1"	1 1/4"	1 1/2"	2"
Body	Brass	Brass	Brass	Brass	Brass	Brass
Seat	1/8" Acetal	1/4" Acetal	3/8" Acetal	3/4" Brass	3/4" Brass	1" Brass
Piston	Acetal	Acetal	Brass	Brass	Brass	Brass
Backnuts	Acetal	Acetal	Brass	Brass	Brass	Brass
Float Thread	5/16" BSW	5/16" BSW	7/16" BSW	9/16" BSW	9/16" BSW	5/8" BSW
Float Size	4 1/2"	6"	8"	10"	10"	12"

Dimensions

A	B	C
1/2"	1 1/4"	8 3/4"
3/4"	1 1/2"	13"
1"	1 1/2"	16"
1 1/4"	1 3/4"	22"
1 1/2"	1 3/4"	22"
2"	2"	29"



Last updated 04/03/2025