

DZR Brass Ball Valve - Compression Ends



LV 2415

Compression Ends, Full Bore, Green Lever Operated

Pressure / Temperature Specifications

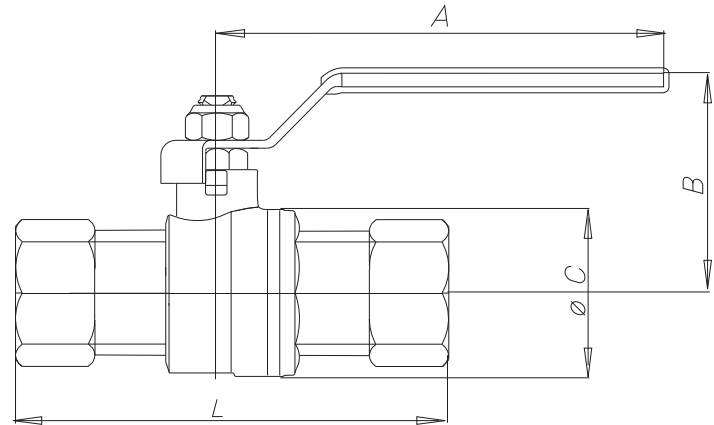
Pressure	PN25 15mm to 28mm
	PN16 35mm to 54mm
Temperature	-15°C to 120°C

Material Specifications

Body	DZR Brass CW602N
Seat	PTFE
Ball	Brass CW602N
Handle	Zinc Plated Steel
Stem	Brass CW602N
Gland	Brass CW617N
Stem Packing	EPDM

Dimensions

Size	L	A	B	ØC	Kg
15mm	85	85	44	32	0.19
22mm	90	105	52	40	0.18
28mm	100	105	56	48	0.23
35mm	110	130	63	60	0.39
42mm	125	130	69	72	0.58
54mm	140	165	83	88	0.98



All information is sourced from our manufacturer's data and is intended for guidance only - Leengate Valves can accept no liability for changes, omissions or errors.