

Brass Ball Valve - Spring Close Lever

LV 2357

Screwed BSPP, Nickel Plated Body, Full Bore, Spring Close Lever Operated

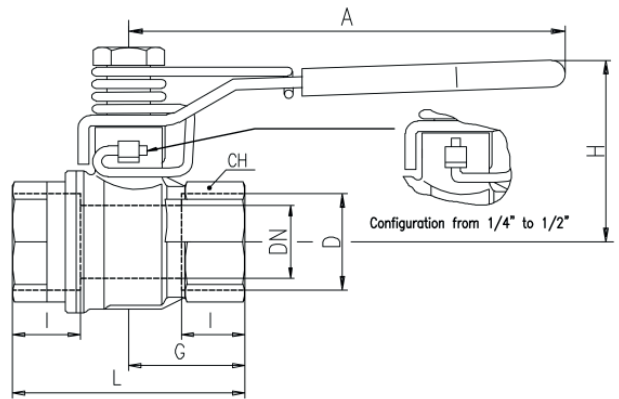
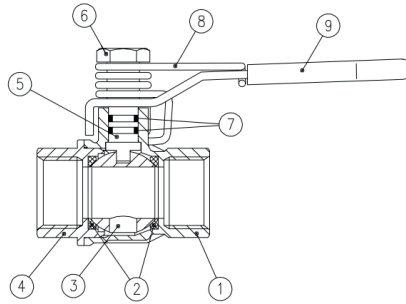


Pressure / Temperature Specifications

Pressure	PN40 (PN5 for Gas)
Temperature	-40°C to 170°C

Material Specifications

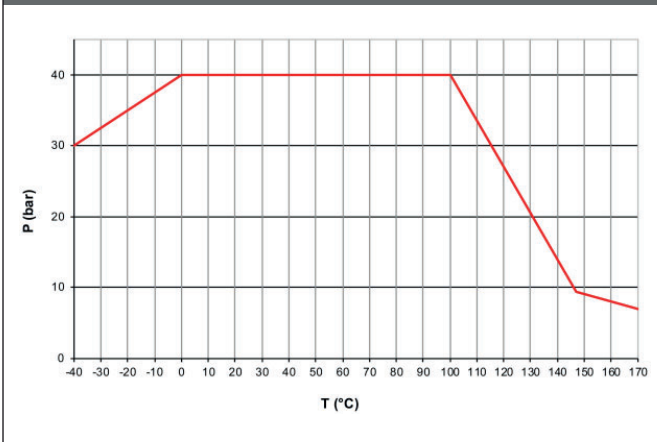
1. Body	Nickel Plated Brass CW 617 N
2. Seat	PTFE
3. Ball	Chrome Plated Brass CW 617 N
4. Body End	Nickel Plated Brass CW 617 N
5. Stem	Nickel Plated Brass CW 617 N
6. Nut	Brass CW 617 N
7. O-ring	FPM
8. Spring	AISI 302 Stainless Steel
9. Lever	PVC Coated Geomet® Steel



Dimensions

D	DN	I	L	G	A	H	CH	Kv	Kg
1/2"	15	15.5	59	29.5	100	43	25	28	0.33
3/4"	20	17	64	32	120	50	31	36	0.51
1"	25	21	81	40.5	120	54	40	62	0.85
1 1/4"	32	23	93	46.5	158	73	49	79	1.25
1 1/2"	40	23	102	51	158	79	54	124	1.66
2"	50	26.5	121	60.5	158	86	68.5	178	1.69

Pressure / Temperature Chart



Head Loss Chart

