

Compression Ends, Nickel Plated Brass Body

LV2330 = Red PVC Coated Lever

LV2331 = Blue PVC Coated Lever

LV2336 (15, 22 & 28mm) = Red Butterfly Handle

LV2337 (15, 22 & 28mm) = Blue Butterfly Handle

Pressure / Temperature Specifications	
Pressure	PN40 15mm
	PN32 22mm & 28mm
	PN16 35mm to 54mm
Temperature	-20°C to 110°C

Materials	
Body	Nickel Plated Brass
Bonnet	Nickel Plated Brass
Seat	PTFE
Ball	Chrome Plated Brass
Stem	Brass
Stem Packing	PTFE
Stem Nut	Nickel Plated Brass
Butterfly Handle	Aluminium (LV2336 or LV2337)
Lever	Steel with PVC Sleeve (LV2330 or LV2331)
Nut	Nickel Plated Steel
Olive	T2 Copper
Ends	Nickel Plated Brass

Dimensions (Lever)						
Size	F	L	M	D	H	Kg
15mm	13.5	72	15	95	51	0.22
22mm	19	78.5	22	95	55.5	0.31
28mm	23	88	28	113	58	0.52
35mm	32	107	35	135	74.5	0.81
42mm	38	111	42	136	79.5	1.02
54mm	49	127	54	146.5	90	1.8

Dimensions (Butterfly Handle)						
Size	F	L	M	D	H	Kg
15mm	13.5	72	15	56.6	40	0.19
22mm	19	78.5	22	56.6	43.5	0.28
28mm	23	88	28	63	50.1	0.46



LV2330



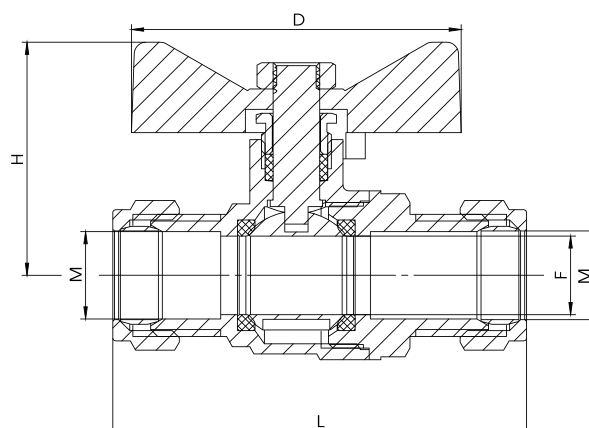
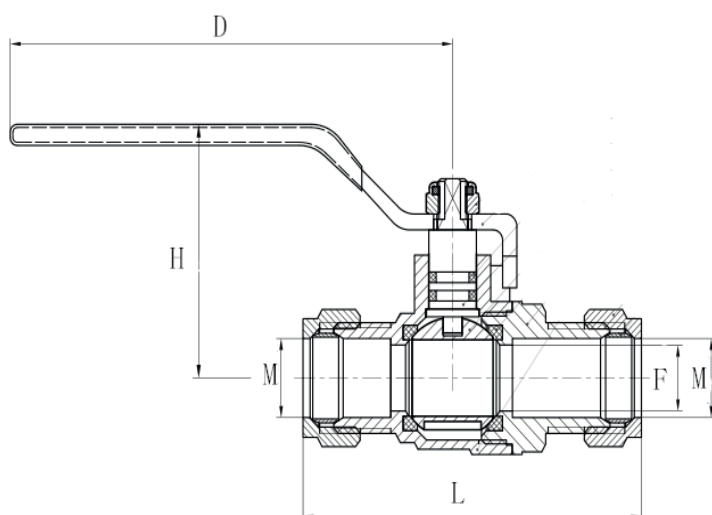
LV2331



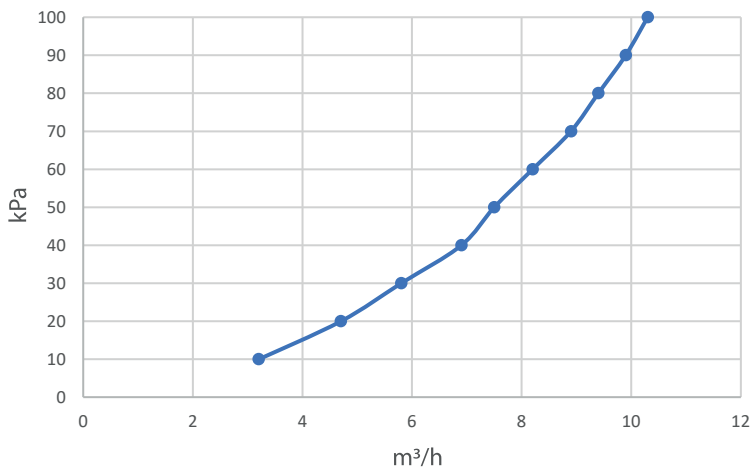
LV2336



LV2337



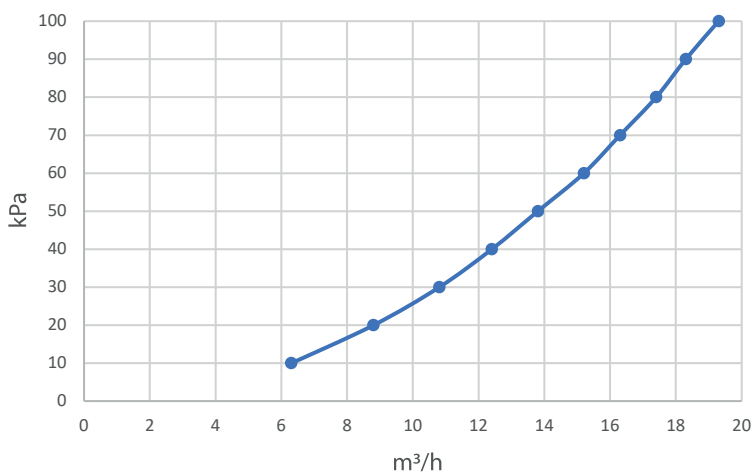
Flow Rate Chart
(15mm)



Flow Rates (15mm)

Pressure (kPa)	Flow Rate (m³/h)	Cv	Kv
10kPa	m³/h 3.2	Cv 8.7	Kv 10.1
20kPa	m³/h 4.7	Cv 9.1	Kv 10.5
30kPa	m³/h 5.8	Cv 9.2	Kv 10.6
40kPa	m³/h 6.9	Cv 9.4	Kv 10.9
50kPa	m³/h 7.5	Cv 9.2	Kv 10.6
60kPa	m³/h 8.2	Cv 9.2	Kv 10.6
70kPa	m³/h 8.9	Cv 9.2	Kv 10.6
80kPa	m³/h 9.4	Cv 9.1	Kv 10.5
90kPa	m³/h 9.9	Cv 9.0	Kv 10.4
100kPa	m³/h 10.3	Cv 8.9	Kv 10.3

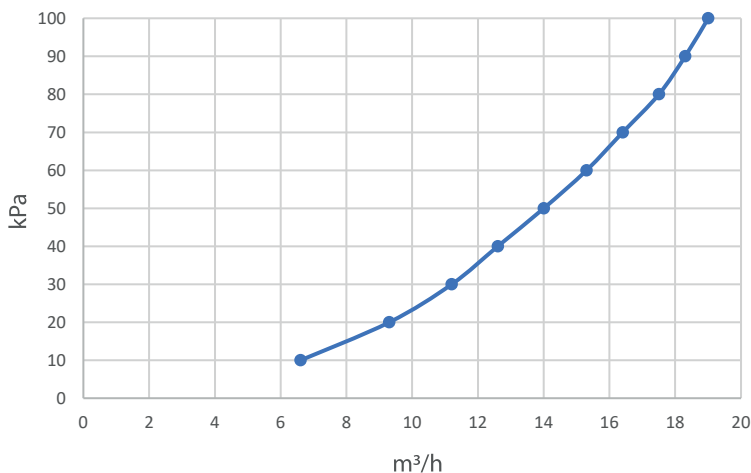
Flow Rate Chart
(22mm)



Flow Rates (22mm)

Pressure (kPa)	Flow Rate (m³/h)	Cv	Kv
10kPa	m³/h 6.3	Cv 17.2	Kv 19.9
20kPa	m³/h 8.8	Cv 17.0	Kv 19.7
30kPa	m³/h 10.8	Cv 17.0	Kv 19.7
40kPa	m³/h 12.4	Cv 16.9	Kv 19.6
50kPa	m³/h 13.8	Cv 16.9	Kv 19.5
60kPa	m³/h 15.2	Cv 17.0	Kv 19.6
70kPa	m³/h 16.3	Cv 16.8	Kv 19.5
80kPa	m³/h 17.4	Cv 16.8	Kv 19.4
90kPa	m³/h 18.3	Cv 16.7	Kv 19.3
100kPa	m³/h 19.3	Cv 16.7	Kv 19.3

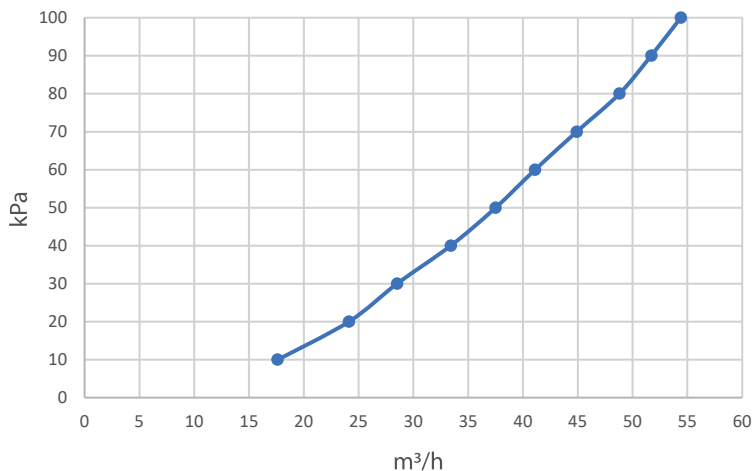
Flow Rate Chart
(28mm)



Flow Rates (28mm)

Pressure (kPa)	Flow Rate (m³/h)	Cv	Kv
10kPa	m³/h 6.6	Cv 18.0	Kv 20.9
20kPa	m³/h 9.3	Cv 18.0	Kv 20.8
30kPa	m³/h 11.2	Cv 17.7	Kv 20.4
40kPa	m³/h 12.6	Cv 17.2	Kv 19.9
50kPa	m³/h 14.0	Cv 17.1	Kv 19.8
60kPa	m³/h 15.3	Cv 17.1	Kv 19.7
70kPa	m³/h 16.4	Cv 16.9	Kv 19.6
80kPa	m³/h 17.5	Cv 16.9	Kv 19.6
90kPa	m³/h 18.3	Cv 16.7	Kv 19.3
100kPa	m³/h 19.0	Cv 16.4	Kv 19.0

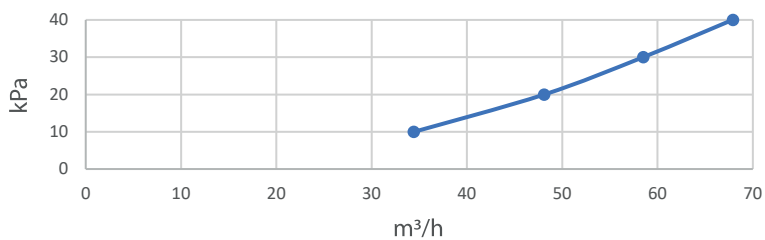
Flow Rate Chart
(35mm)



Flow Rates (35mm)

Pressure	Flow Rate (m³/h)	Cv	Kv
10kPa	m³/h 17.6	Cv 48.1	Kv 55.6
20kPa	m³/h 24.1	Cv 46.6	Kv 53.9
30kPa	m³/h 28.5	Cv 45.0	Kv 52.0
40kPa	m³/h 33.4	Cv 45.7	Kv 52.8
50kPa	m³/h 37.5	Cv 45.8	Kv 53.0
60kPa	m³/h 41.1	Cv 45.9	Kv 53.0
70kPa	m³/h 44.9	Cv 46.4	Kv 53.6
80kPa	m³/h 48.8	Cv 47.2	Kv 54.5
90kPa	m³/h 51.7	Cv 47.1	Kv 54.5
100kPa	m³/h 54.4	Cv 47.0	Kv 54.4

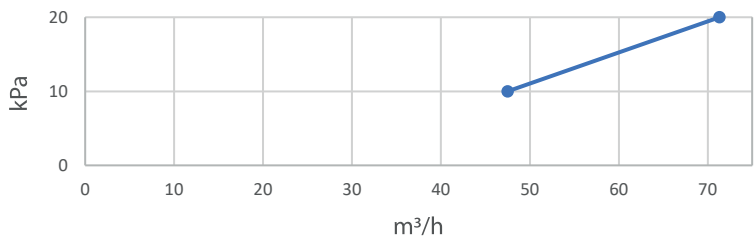
Flow Rate Chart
(42mm)



Flow Rates (42mm)

Pressure	Flow Rate (m³/h)	Cv	Kv
10kPa	m³/h 34.4	Cv 94.0	Kv 108.7
20kPa	m³/h 48.1	Cv 93.0	Kv 107.5
30kPa	m³/h 58.5	Cv 92.3	Kv 106.7
40kPa	m³/h 67.9	Cv 92.8	Kv 107.3

Flow Rate Chart
(54mm)



Flow Rates (54mm)

Pressure	Flow Rate (m³/h)	Cv	Kv
10kPa	m³/h 47.5	Cv 129.8	Kv 150.1
20kPa	m³/h 71.3	Cv 137.8	Kv 159.3