

Brass Ball Valve - EN331 Gas Approved - HTB - Locking Lever

LV 2304

Screwed BSPP, Nickel Plated Body, Brass Ball & Stem, PTFE Seats, Full Bore, Yellow Locking Lever

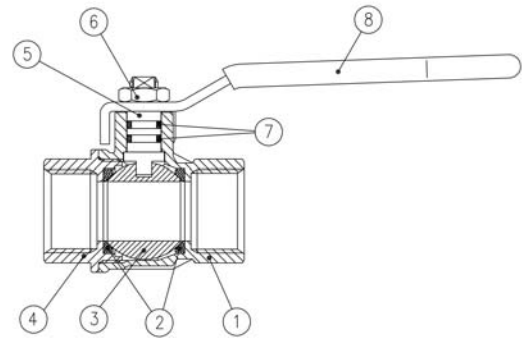


Pressure / Temperature Specifications

Non-hazardous Pressure	PN40 ½" to 2"
	PN30 2½" to 4"
Gas Pressure	PN5
Non-hazardous Temperature	-40°C to 170°C
Gas Temperature	-20°C to 60°C

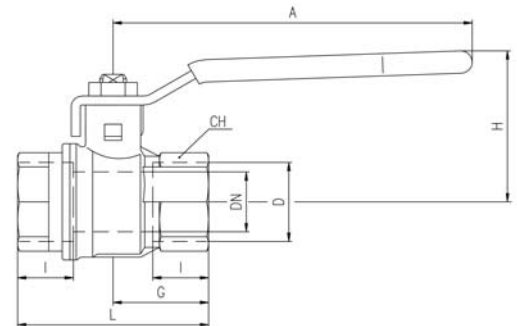
Material Specifications

1.	Body	Nickel Plated Brass CW 617 N
2.	Seat	PTFE
3.	Ball	Chrome Plated Brass CW 617 N
4.	Body End	Nickel Plated Brass CW 617 N
5.	Stem	Nickel Plated Brass CW 617 N
6.	Nut	Geomet CB4FF
7.	O-ring	FPM
8.	Handle	PVC Coated Geomet DD11

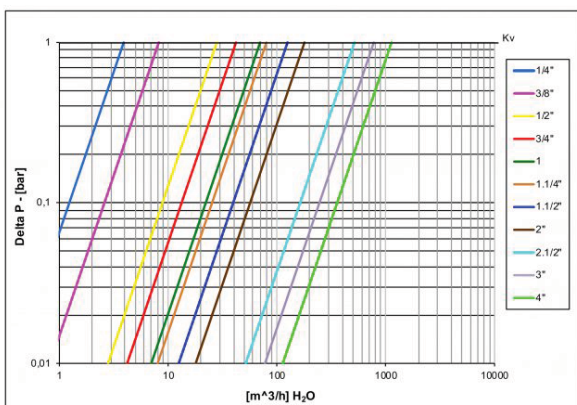


Dimensions

D	DN	I	L	G	A	H	CH	Kg
½"	15	15.5	59	29.5	100	43	25	0.33
¾"	20	17	64	32	120	50	31	0.5
1"	25	21	81	40.5	120	54	40	0.84
1¼"	32	23	93	46.5	158	73	49	1.2
1½"	40	23	102	51	158	79	54	1.64
2"	50	26.5	121	60.5	158	86	68.5	2.67
2½"	65	32	156	78	255	132	85	2.9
3"	80	35	177	88.5	255	140	99	3.4
4"	100	41.5	216	108	255	154	125	6.2



Pressure Loss Chart



Pressure / Temperature Chart

